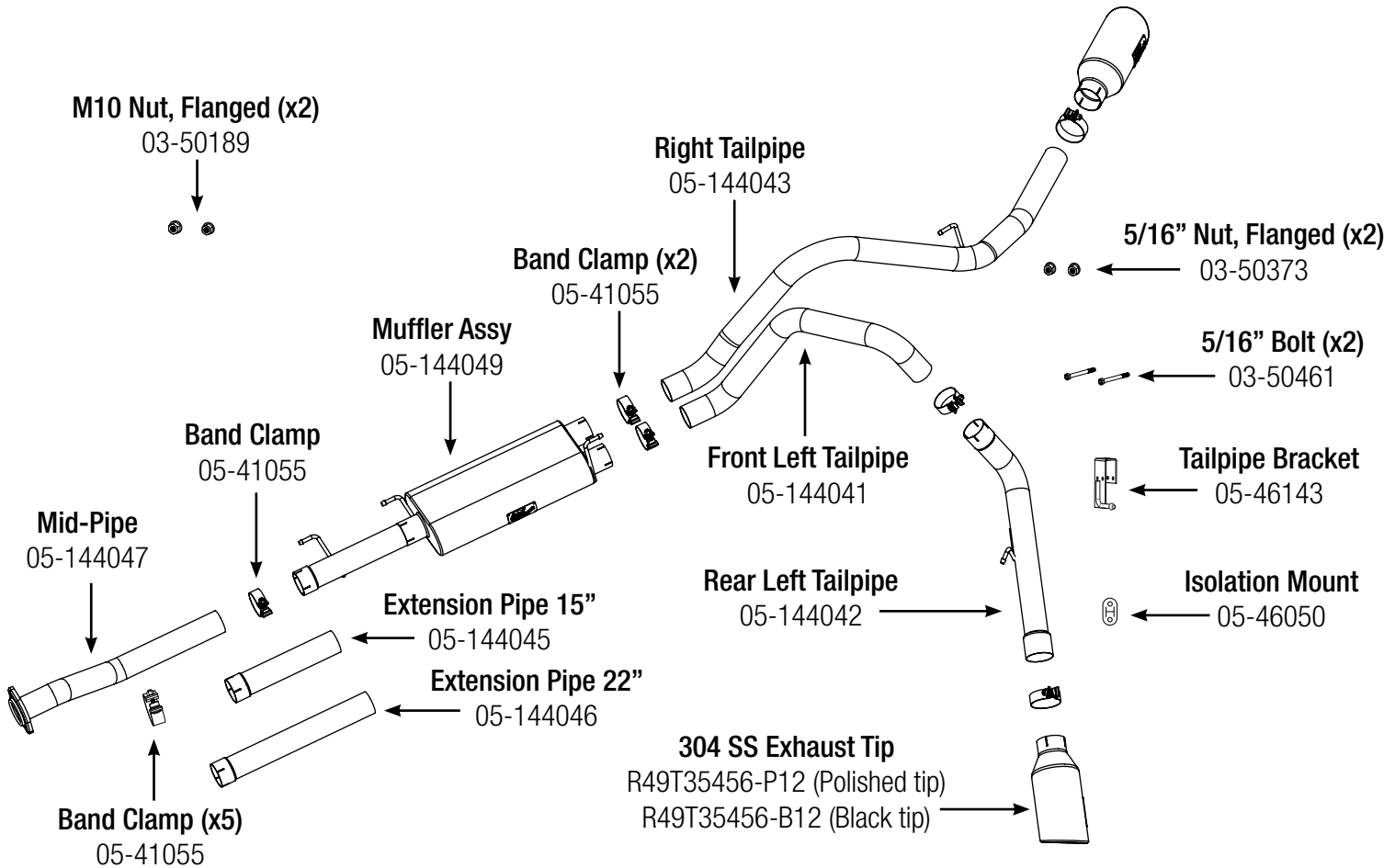




INSTALLATION INSTRUCTIONS

MAKE: Ford
 MODEL: F-150 Ecoboost
 YEAR: 2015-2016
 ENGINE: V6-2.7L/3.5L (tt)
 Fits: CC/SB, EC/SB, CC/LB, & EC/LB

409 S/S
3" Cat-Back Dual Exhaust
49-43070-P (Polished tips)
49-43070-B (Black tips)



Step 1: (Read Instructions prior to installation) remove your stock exhaust up to the catalytic converter from the rear of your truck working your way forward. Take caution not to damage the factory hardware and isolation mounts as they will be reused. It is recommended to not fully tighten the clamps until the entire system has been installed.

Step 2: For faster installation spread the pieces of the exhaust alongside of your vehicle according to the diagram shown.

NOTE: Extension pipe may be needed for the following:

- | | |
|---|---|
| •CC/SB, SuperCrew / 5.5ft Bed, 145" Wheelbase | No Extension pipe required |
| •EC/SB, SuperCab / 6.5ft Bed, 145" Wheelbase | No Extension pipe required |
| •CC/LB, SuperCrew / 6.5ft Bed, 156.8" Wheelbase | 15" Extension pipe (05-144045) required |
| •EC/LB SuperCab / 8ft Bed, 156.8" Wheelbase | 22" Extension pipe (05-144046) required |

Step 3: First insert and install the midpipe and extension tube (if necessary.) onto the muffler assembly.

Step 4: Slide the rear hanger of the muffler assy into the isolation mount first. Push all the way back until you have clearance to slide the other front (x2) hangers of the muffler assy in place with the isolation mounts.

Step 5: Using the OE flange bolts and the nuts provided in the kit. Connect the flanges together. But do not fully tighten yet.

Step 6: Install the "Right" passenger side tailpipe first. Do not fully tighten.

Step 7: Next install the "Over axle", do not fully tighten.

NOTE: aFe recommends that the tailpipe be at least 1/2"-1" away from any body panels to avoid heat related body damage. **Tighten and secure.**

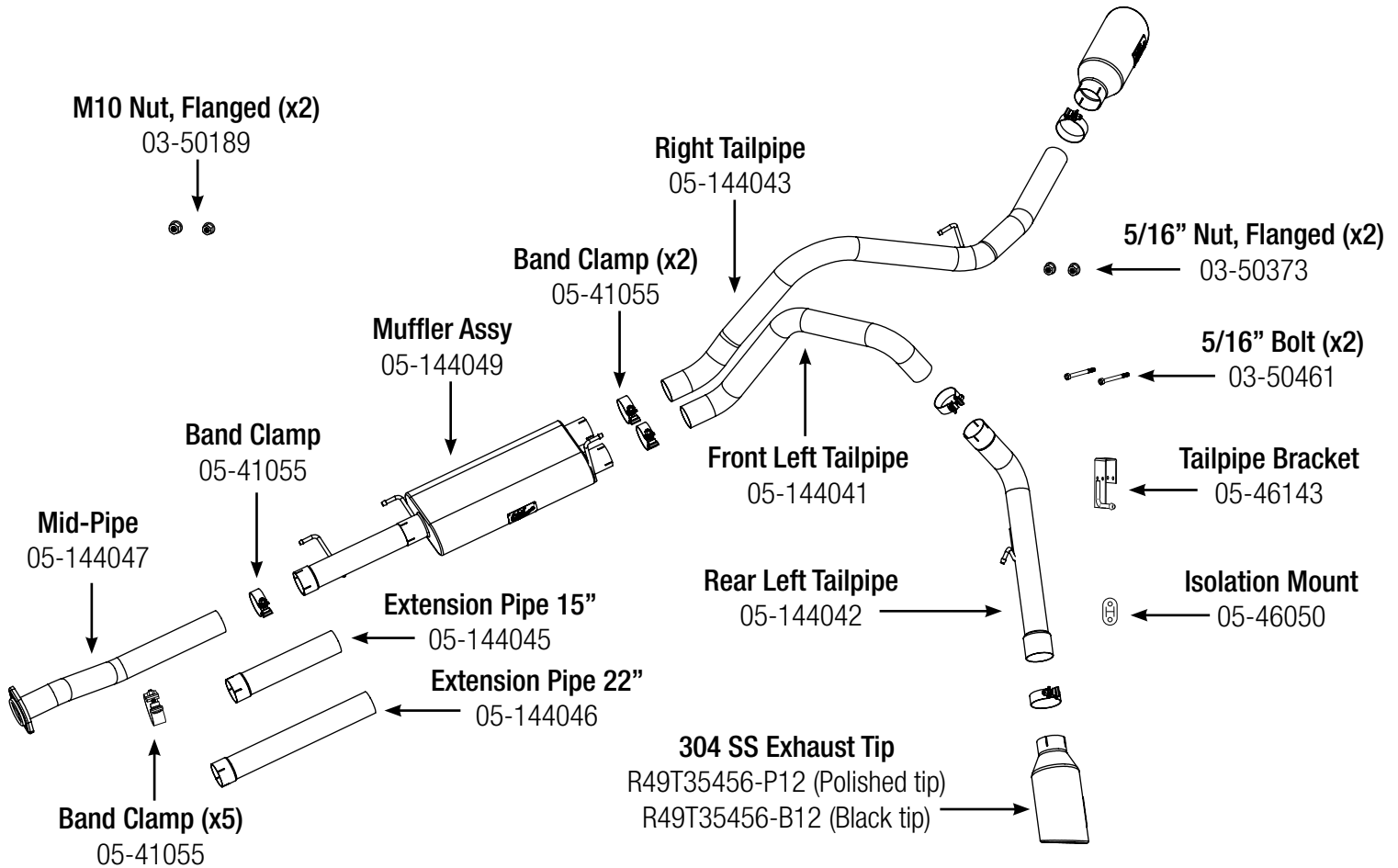
Caution: Allow time for your vehicle to cool down prior to installation. When working on or under your vehicle proceed with caution. Exhaust systems reach high temperatures and may cause serious burns. Wear protective safety equipment; eye goggles and gloves to ensure a safe installation. **aFe recommends professional installation on our products.**



INSTALLATION INSTRUCTIONS

MAKE: Ford
MODEL: F-150 EcoBoost
YEAR: 2015-2016
ENGINE: V6-2.7L/3.5L (tt)
Fits: CC/SB, EC/SB, CC/LB, & EC/LB

409 S/S
3" Cat-Back Dual Exhaust
49-43070-P (Polished tips)
49-43070-B (Black tips)



Step 8: Install the Hanger Bracket included with the kit. As shown on (figure A). Fully tighten the hanger bracket to the frame using the correct hardware provided.

Step 9: Next Install the "Left Tailpipe", do not fully tighten.

Step 10: Install both tips onto the tailpipes. Adjust the tips to your desired position. Do not fully tighten.

Step 11: Position the entire exhaust, tailpipes and tips. Start fully tightening all clamps from the front flange working your way to the rear tailpipes.

Step 12: If needed, zip ties are included with your kit to create additional clearance for the "Left Tailpipe" axle breather & brake hoses.

Note: You will need at least 1.5" of clearance from your spare tire and the left side of the exhaust. If you need clearance just loosen your spare tire and move away from the exhaust until you have the clearance needed and tighten spare tire back up.

Step 13: Your installation is now complete. It is recommended to re-tighten all exhaust components after 50-100 miles.



NOTE: aFe recommends that the tailpipe be at least 1/2"-1" away from any body panels to avoid heat related body damage. **Tighten and secure.**

Caution: Allow time for your vehicle to cool down prior to installation. When working on or under your vehicle proceed with caution. Exhaust systems reach high temperatures and may cause serious burns. Wear protective safety equipment; eye goggles and gloves to ensure a safe installation. **aFe recommends professional installation on our products.**