

Addictive Desert Designs

2015 – Current F150 HoneyBadger Front Bumper Installation Instructions

PREPARATION

1. Disconnect the negative terminal on the battery. Park the vehicle on level ground and set the emergency brake.
2. We recommend reading through the installation instructions in whole before performing the work.
3. You will need the following tools:
 - a. 3/4" Socket and Wrench
 - b. 13/16" Socket
 - c. Ratchet
 - d. 15mm Socket
 - e. 7mm Socket
 - f. 5.5mm Socket
 - g. Utility Knife
 - h. Reciprocating Saw

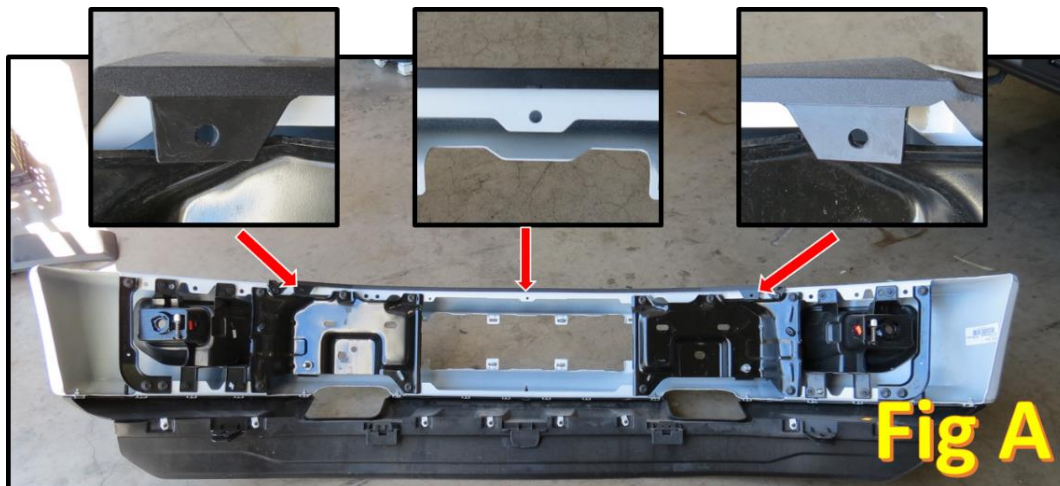
Note: this installation requires 2 people for best results

4. Included in Kit:

- 8** – Hex Head Bolts – 1/2"-13 x 1 1/2"
- 16** – Flat Washers – 1/2"
- 8** – Nylon Locking Nuts – 1/2"-13
- 2** – Bottom Mounting Brackets

REMOVAL

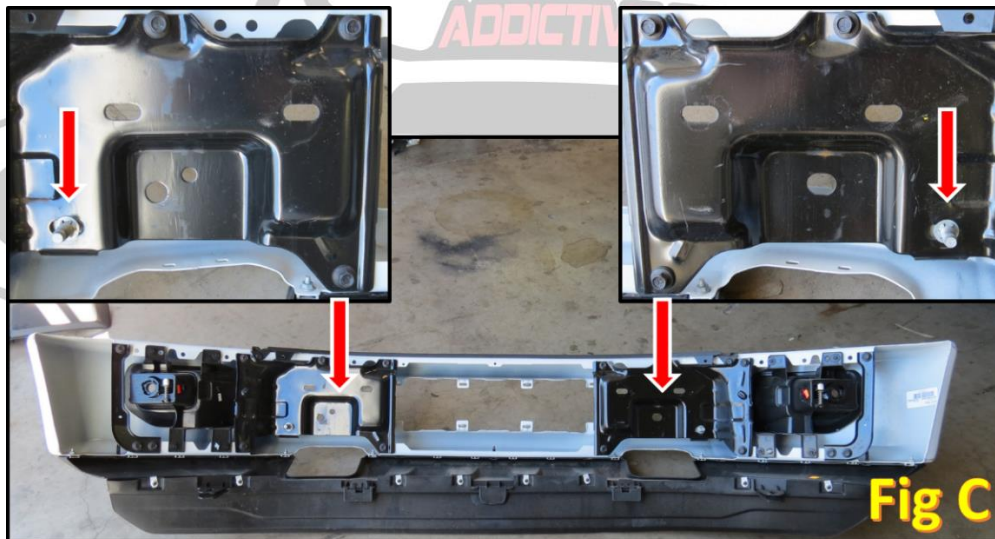
1. From the bottom of the truck, remove any fog light connectors, if your truck is equipped with fog lights, and move the wiring harness out of the way.
2. From the top, remove the 3 plastic clips that are holding the rubber shroud to the top of the front bumper. The locations of where these 3 clips attach to the front bumper have been marked in Fig A.



- Carefully remove the front plastic piece from the bumper. There are no tools required for this, it can be pulled off by hand.



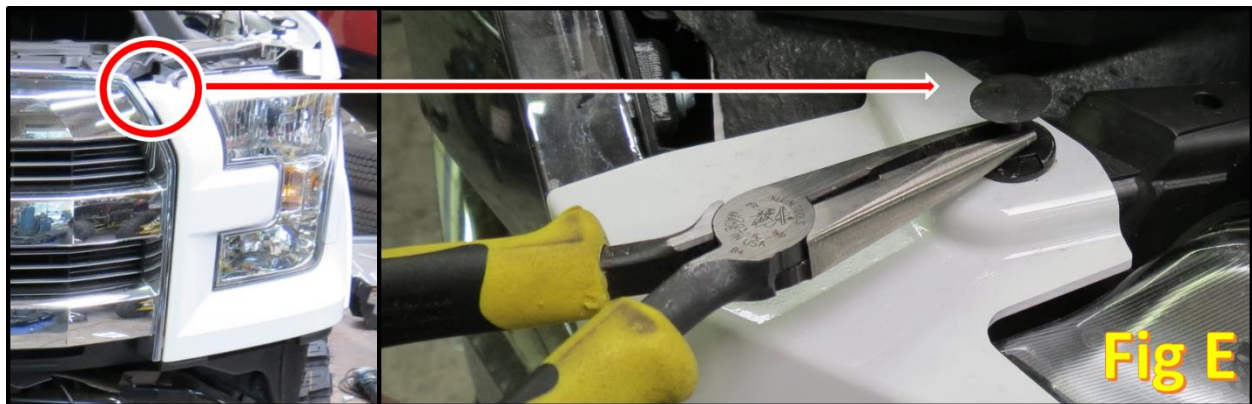
- From the bottom, remove the 13/16" nuts/bolts (x2) holding the bumper mount to the front frame horns. There is one per side. The location of these nuts is marked in Fig C.



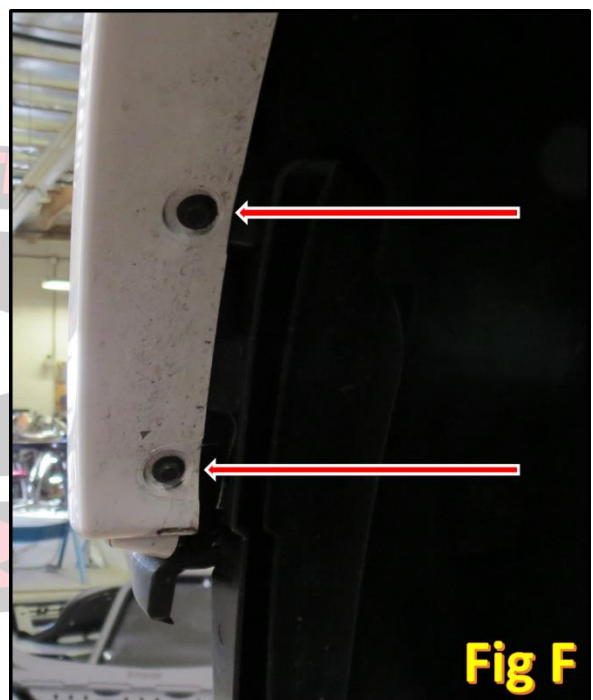
- From the top, remove the remaining 13/16" nuts/bolts (x4) that were behind the plastic covers removed in Step 2. There are 2 per side. The location of these nuts is marked in Fig D.



- Carefully slide the bumper out towards you and off the vehicle.
- Remove the plastic clip on the top of the headlight bezel. Refer to Fig E.



- Remove the two 7mm bolts farthest forward on the OEM fender flare. Refer to Fig F.
- Gently pull the fender flare out towards you until it unclips from the headlight bezel. Refer to Fig G.



- Gently pull the headlight bezel forward and off of the vehicle. Refer to Fig H



- Remove the two 5.5mm bolts on the front side of the inner fender liner that are referenced in Fig I



12. Remove the 3 bolts referenced in Fig J on the air dam that sits behind the headlight bezel.



13. Undo the two clips referenced in Fig K, and pull the bottom portion of the air dam off the vehicle.

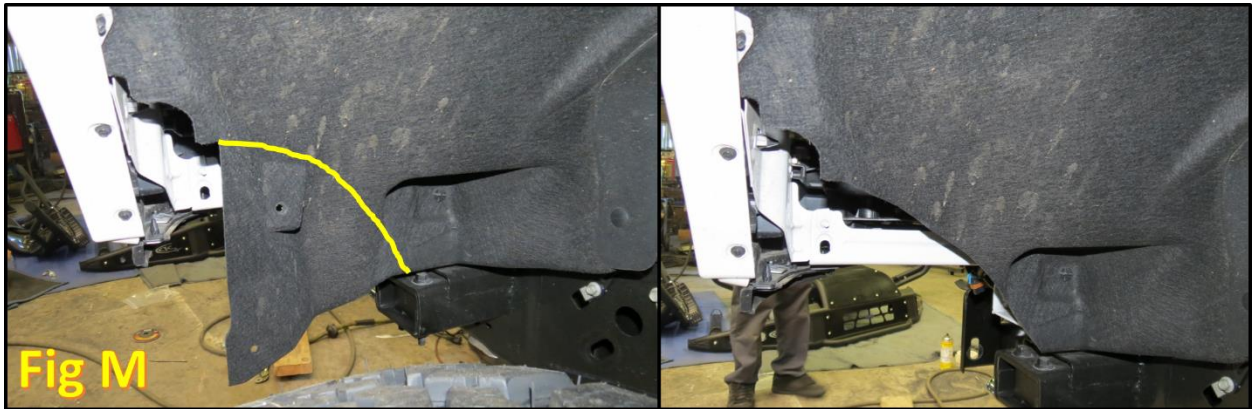


14. Push the headlight bezel back on the vehicle and reinstall the plastic clip that was removed in Step 7. Reinstall the bolts that were removed in Step 8.

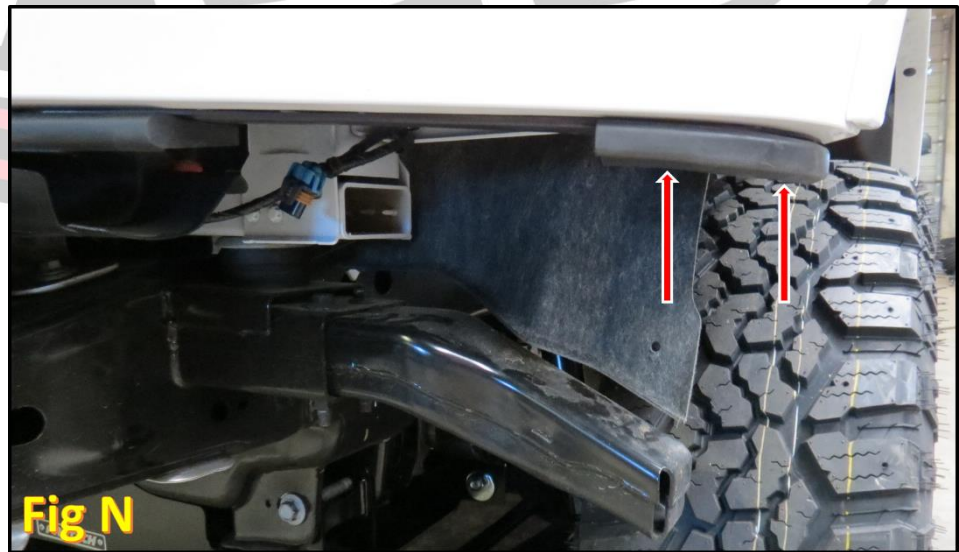
15. Using a reciprocating saw, cut off the crash bar that sticks out right in front of your tires. Refer to Fig L. Make sure to paint over any bare metal to avoid rust issues.



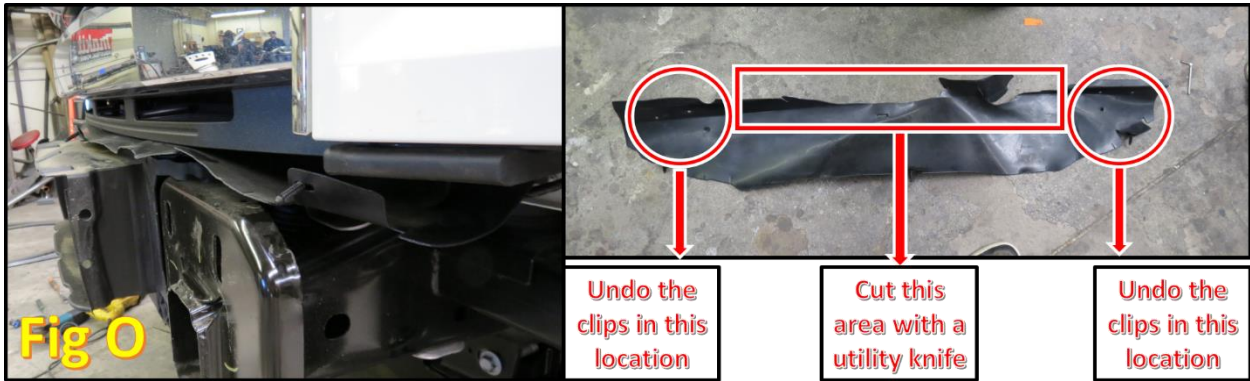
16. Using a utility knife, trim the inner fender liner that hangs down where the air dam used to be. Refer to Fig M



17. Remove the two plastic clips that hold on the rubber piece shown in Fig M. The clip locations are referenced in Fig N.



18. If desired, you can remove the rubber shroud that sits between the radiator and the intercooler. To do this, remove the accessible clips on the outside portions of this piece, then use a utility knife to cut it out as far back as possible. Refer to Fig O.



19. Remove both tow hooks by removing the two bolts that hold each of them on. Refer to Fig P.
20. Prepare to install your new A.D.D. Front Bumper.



Fig P

INSTALLATION

1. With the HoneyBadger Bumper, there is a bracket to be installed on the underside of the truck. If you have a drop bracket lift, use the bracket shown in Part A of Fig Q. If you do not have a drop bracket lift, use the bracket shown in Part B of Fig Q.

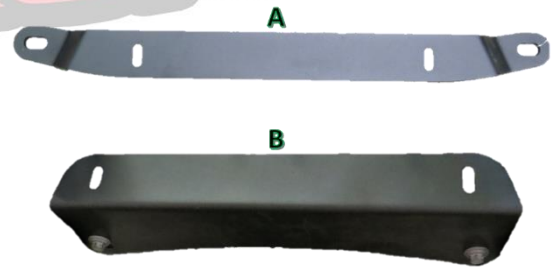


Fig Q

2. If you are using Bracket A, install the bracket to the HoneyBadger Front Bumper before installing the bumper to the truck. You will have to remove the bolts that hold the top of the drop bracket to the frame of the truck, and use that hardware to bolt the bracket to the truck during bumper installation.
3. If you are using Bracket B, bolt the bracket to the truck first before mounting the bumper.
 - a. Remove the front two skid plate bolts that are referenced in Fig R.
 - b. Put the bracket in place and reinstall the two 15mm bolts finger tight.

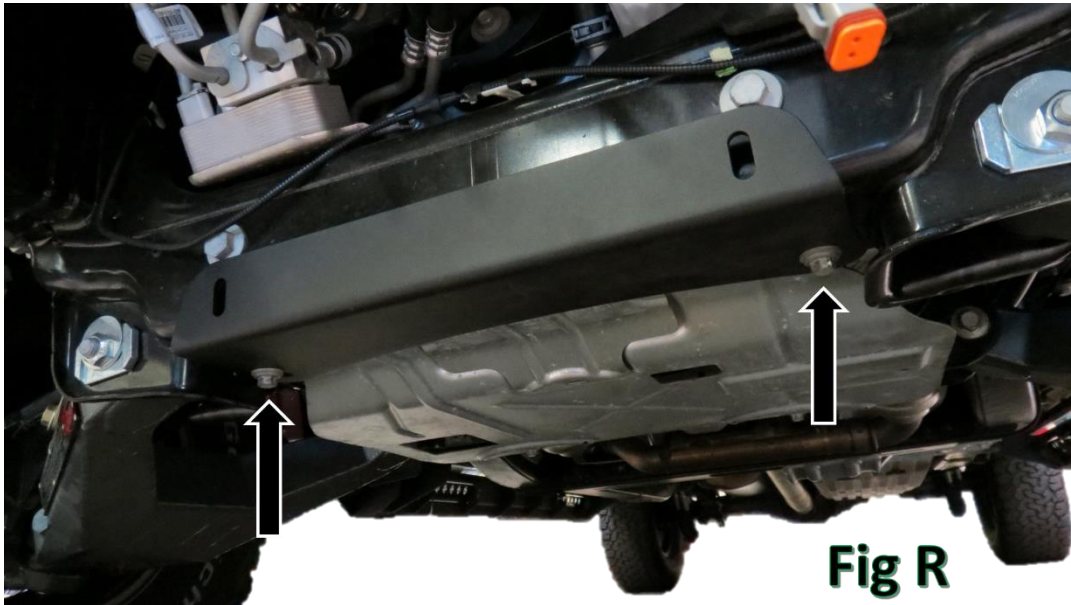


Fig R

4. If you have purchased any lights/light mounting kits with your bumper, now would be a good time to install those. Please follow the light manufacturer's instructions for wiring and mounting information.
5. Mount your A.D.D. Bumper to your truck.
 - a. We recommend covering the bottom of your headlight bezel in masking tape to prevent any paint scratching during installation. Refer to Fig S.
 - b. Line the holes on the mounting tabs of the A.D.D. Stealth Bumper with the mounting holes on the frame horns of the truck. Use the supplied 1/2" bolts (x6), 1/2" washers (x12), and 1/2" locking nuts (x6) to hold the bumper in place. Install them finger tight until they are all on. Refer to Fig T.
 - c. If you are using Bracket B, install supplied 1/2" bolts (x2), 1/2" washers (x2), and 1/2" locking nuts (x2) to hold the bumper to the lower bracket. Refer to Fig U.
 - d. If you are using Bracket A, reinstall the bolts removed in Step 2.
 - e. Before giving the bolts a final torque, line the bumper up with the grill/valance to make sure everything is straight (This is where a second person might come in handy).
 - f. Once the bumper is properly aligned, tighten the 1/2" mounting bolts to 70 foot pounds. Tighten the two 15mm bolts holding the lower bracket on to manufacturer's specifications.



Fig S

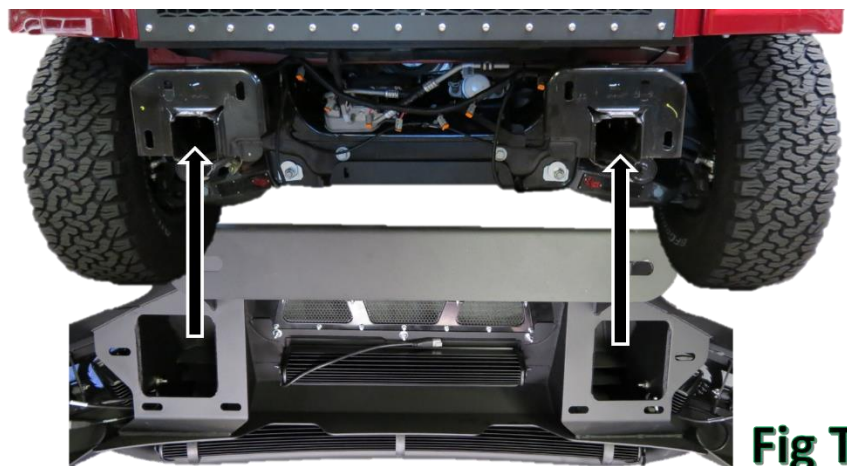


Fig T



Fig U

6. Stand back and enjoy your A.D.D. HoneyBadger Front Bumper.
7. Check and re-tighten if needed, all mounting bolts after 100 miles and periodically thereafter.



For Additional Support or Technical Questions,
Please Call 480.671.0820 or
Email info@addictivedesertdesigns.com

Addictive Desert Designs
4840 E. Jasmine Street Suite 112
Mesa, AZ 85205
www.addictivedesertdesigns.com