



**BULLY  
DOG**  
powered by **DERIVE**

## **INSTALLATION MANUAL**

# **RAPID FLOW**

*Cold Air Intake*



**Applications**

Ford 3.5L F150'11

**Rapid Flow Part Number**

51202

Not legal for sale or use in California on pollution-controlled vehicles.



**POWER**



**FUEL-ECONOMY**

**ECONOMY**



## TROUBLESHOOTING:

Technical support is available by calling 1-940-783-9915.

Tech support by phone is available Monday-Friday 8am-5pm Mountain Standard Time.

## TABLE OF CONTENTS

INTRODUCTION .....	PG. 1
PARTS INCLUDED .....	PG. 2
PARTS DESCRIPTION .....	PGS. 3-5
INSTALLATION .....	PGS. 6-14
INSTALLATION OVERVIEW.....	PG. 6
REMOVING THE STOCK INTAKE .....	PGS. 7-9
INTAKE INSTALLATION PREP .....	PGS. 10-11
INTAKE INSTALLATION.....	PGS. 12-14
FILTER MAINTENANCE .....	PG. 15
PREFILTERS.....	PG. 16
TROUBLE SHOOTING .....	PG. 17

## INTRODUCTION

This instruction set outlines the description and installation of the Rapid Flow Cold Air Intake for the Ford 3.5L F 150 Eco Boost 2011. Installation of this intake takes about 20 minutes and requires only basic tools.

For additional questions or product information visit our website [www.bullydog.com](http://www.bullydog.com) or call Bully Dog technical support at 1-940-783-9915.

## Parts Included and Tools Needed:

This section displays the parts included in the package and the tools needed to properly install the system.

### Parts Included

Air Intake Enclosure Lid .....	51200-1
Air Intake Tube w/maf boost tube .....	51202-3
Bully Dog Logo name plate .....	5-50002
Silicone 100 mm ID x 76mm 3ply.....	51202-5
Silicone 80mm ID x 76 mm with Hump 3ply.....	51202-6
Silicone tube 9.5 mm ID x 500 mm 2 ply .....	51202-7
Worm drive 4.5" max or 114mm.....	53252-7
Worm drive 4" max or 102mm.....	51105-7
# 6 worm drive clamp .....	4-28201
Air filter assembly .....	224900
Literature Pac .....	LITPAC
Screw 8-32 x 3/8" blk oxide pan head.....	54100-94
T20 Tamper Proof Torx Bit.....	229120

### Tools needed

Flat Head Screwdriver	Phillips Screwdriver	Bit Driver
13mm Socket and Wrench (optional)		



### **Parts Description:**

This section describes each part and any special features of each part that need to be noted to assist with installation. All parts will be referred to during installation by the names used in this section.

**The Lid:** This simple to install lid replaces the stock lid and conceals and protects the high flow air filter that comes with the kit. It also has an extra air flow port to provide more cold air from the front of the vehicle for a slight charge effect.



**MAF Intake Tube:** The intake tube installs between the air box and the turbo inlet tubes.

*Turbo Inlet Tube Side*

*Air Box Inlet side*



*Turbo Inlet Tube Side*

**Silicon Tubing:** High quality 3 ply silicon tubing.

*Silicone Coupler*

*Silicone Coupler*



*Breather Hose*

**Band Clamps:** Connects and holds all tubing in place.



**Stainless Black Oxide Screws:** The two Phillips style stainless black oxide screws are included with the kit to secure the MAF sensor to the air intake tube.



**Air Filter and Clamp:** The air filter included is an ISO 5011 certified eight layer oil filter. The air filter is secured onto the end of the air intake tube using the filter clamp and a flat-head screwdriver.

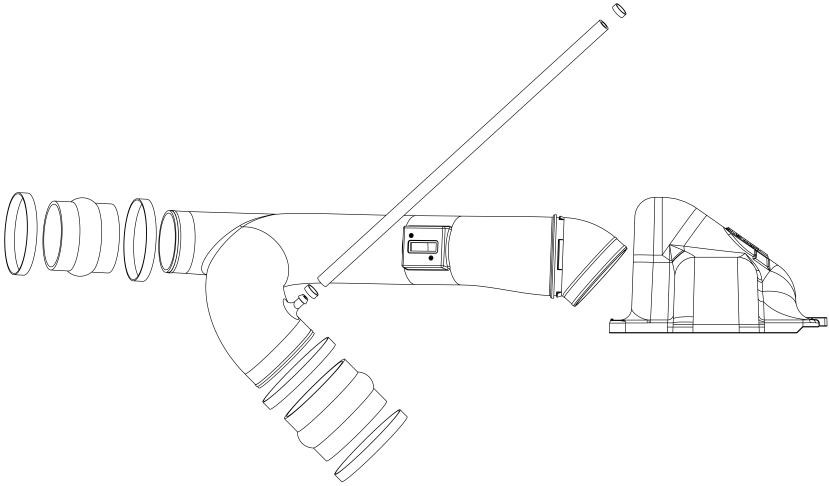


**Security Torx Bit:** This bit is included for convenience; the mass air flow sensor is attached to the stock intake tube using security Torx screws. If this bit is lost it can be ordered.

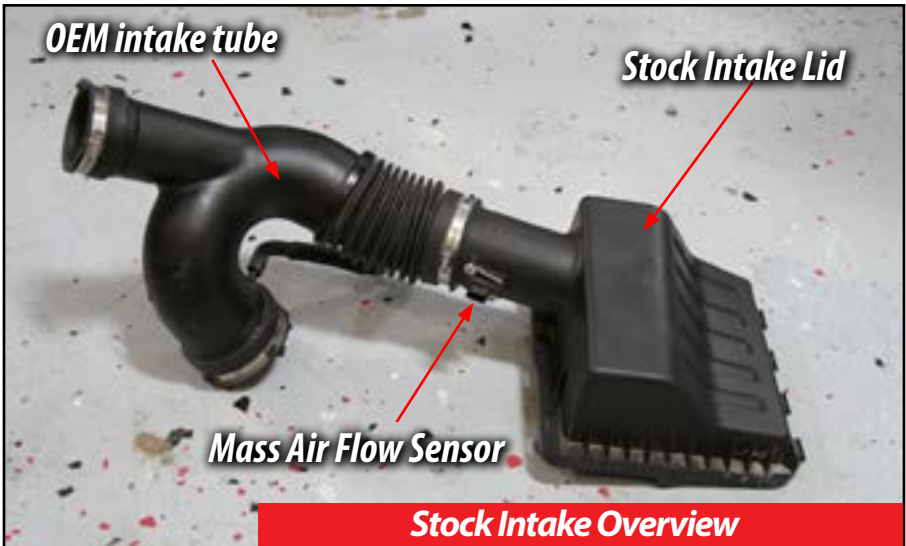


## Installation Overview:

Installation is very simple, it is separated into three parts: Removing the Stock Intake, Preparing the Rapid Flow Cold Air Intake for installation, and Installing the system. The complete installation of the Rapid Flow Cold Air Intake system should total about 20 minutes. The assembly diagram below shows how the parts of the intake fit together in sequence.



**Stock Intake Overview Diagram:** The stock intake can be seen in the picture below. Notice the important parts of the stock air intake that are labeled in the diagram below. These items are referred to throughout these instructions.



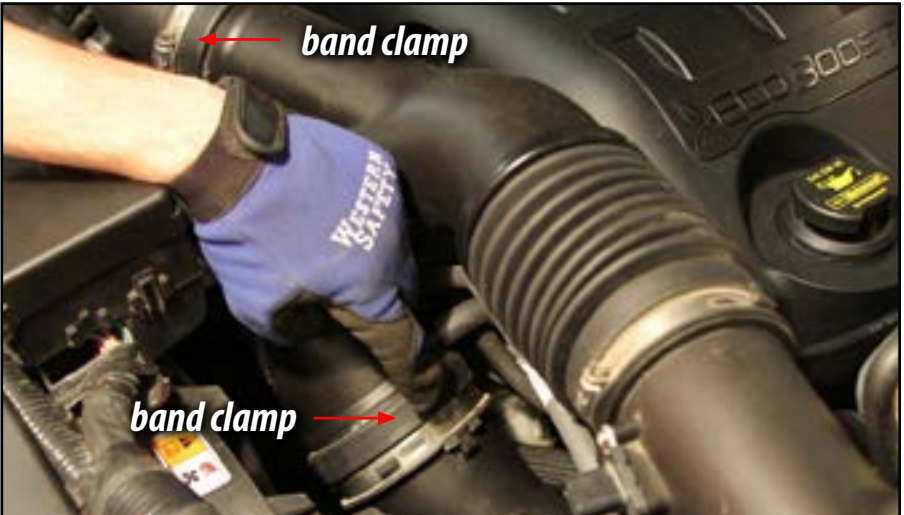
# Stock Intake Removal

## Stock Intake Removal:

1. Unplug the Mass Air Flow sensor: to do so properly first pull the red tab located on the bottom side of the sensor outward to release the locking mechanism. Disconnect the sensor plug from the mounted sensor.



2. Loosen both band clamps on the stock tube where the tube splits





3. Remove the breather hose from the fitting. A zip tie may need to be cut for removal.



4. Loosen the latches holding the stock lid on. Separate the stock turbo inlet tubes from the coupler



5. Remove the entire assembly together.

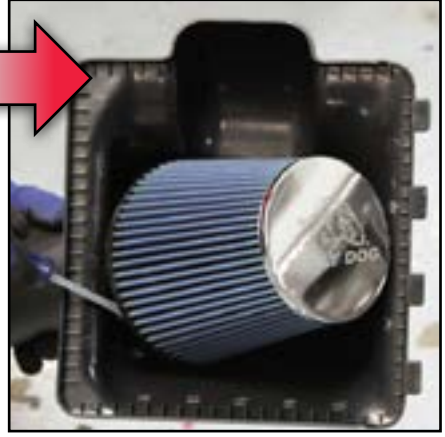


6. Remove the stock filter.



## Intake Installation Prep

1. Snap Bully Dog tube in the Bully Dog lid, attach the filter and tighten the band clamp.



2. Remove the stock MAF sensor with the provided T20 security bit and install the MAF sensor onto the Bully Dog tube with the provided phillip screws.

**DO NOT USE STOCK SCREWS**



3. Slide silicon couplers and clamps onto the appropriate ends of the Bully Dog tube.

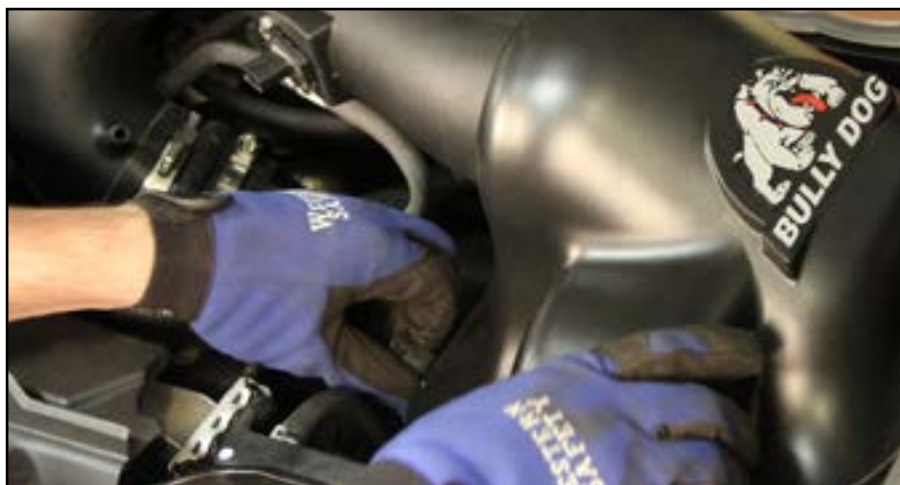


## Intake Installation

1. Guide the Bully Dog lid/tube assembly into the engine bay. Slide the tabs on the Bully Dog lid into the stock box slots.



2. Secure stock latches onto the Bully Dog lid





3. Position the tube and slide the silicone couplers onto the stock tube. Adjust for fitment then tighten clamps.



4. Install the silicon breather hose with clamps onto the Bully Dog tube and stock connection. Tighten the clamps.



## 4. Reconnect MAF sensor plug



## Filter Maintenance:

The intake system should be cleaned at least once every three months; in dusty climates the filter should be cleaned more often. Use a prefilter to extend time between cleaning. Cleaning the intake is a two part process, the first part of the process involves the physical cleaning of the filter with soap and water and the second part involves oiling the filter. To properly clean the filter, a Bully Dog cleaning kit should be used. Cleaning kits are available at any Bully Dog dealer.

### PART 1, CLEANING THE FILTER:

1. Remove filter from filter housing. Clean the filter housing if necessary.
2. Begin the cleaning process by ridding the filter of any dirt by lightly tapping it. Then brush away any loose particles with a soft-bristle brush. This step can usually be avoided with the use of a prefilter.
3. Spray cleaner generously over entire filter and let soak for 10 minutes.
4. Thoroughly rinse the filter with regular tap water (avoid high-pressure hoses). Flush from the inside out or clean side to the dirty side to prevent dirt from entering the filter.
5. Let the filter air dry before oiling, do not use any method to speed up the drying process. Using a blow dryer or compressed air can cause the filter to disfigure which would then allow particles to pass through the filter.



### PART 2, OILING THE FILTER:

1. Apply a small amount of oil to the soft bristle brush and spread the oil over the filter. Be sure to apply a small amount of force so not to damage the filter element.
2. Continue applying oil to the filter using a soft bristle brush until the entire filter is covered in an even amount of oil, just enough to give the filter a solid blue color. Apply enough oil to make the filter a solid and uniform blue, but do not go beyond that.
3. Allow oil to sit for 20 minutes. Re-oil any dry spots that appear. Do not oil filter excessively. Excessive oiling can cause damage to intake sensors.



## ***Bully Dog PreFilter (Part # 51200-8 for your intake)***

The time between scheduled filter maintenance can be extended. Using a prefilter will prevent all large debris from getting into the ribs of the filter. When using the prefilter, only fine dust particles make it through the prefilter and onto the exterior of the filter. Thus when using a prefilter, scheduled cleaning easy much easier and filter life is positively effected.



### **AIR FILTER PREFILTER**

- Extend Time Between Cleanings
- Hydrophobic Material Repels Water
- Protects Cone Filter from Large Debris
- Maintains Filter Airflow Between Cleanings

***The OEM air intake sensor does not fit in the Bully Dog air intake tube because it is a different shape.***

Check the year of the vehicle, the 2011 and 2012 Ford F150 3.5L ecoboost have different air intake sensors which are dramatically different in shape and size. Bully Dog part number 51202 only fits the 2011 F150 Ecoboost.



Check out more of our **ADRENALIN PUMPING** products!

Triple Dog GT



Prefilter



Cleaning Kits



Clothing



GT Diesel is not legal for sale or use in California on pollution-controlled vehicles.



**BULLY  
DOG**  
powered by DERIVE

Free Technical Support at: 1-940-783-9915

See More at: [bullydog.com](http://bullydog.com)