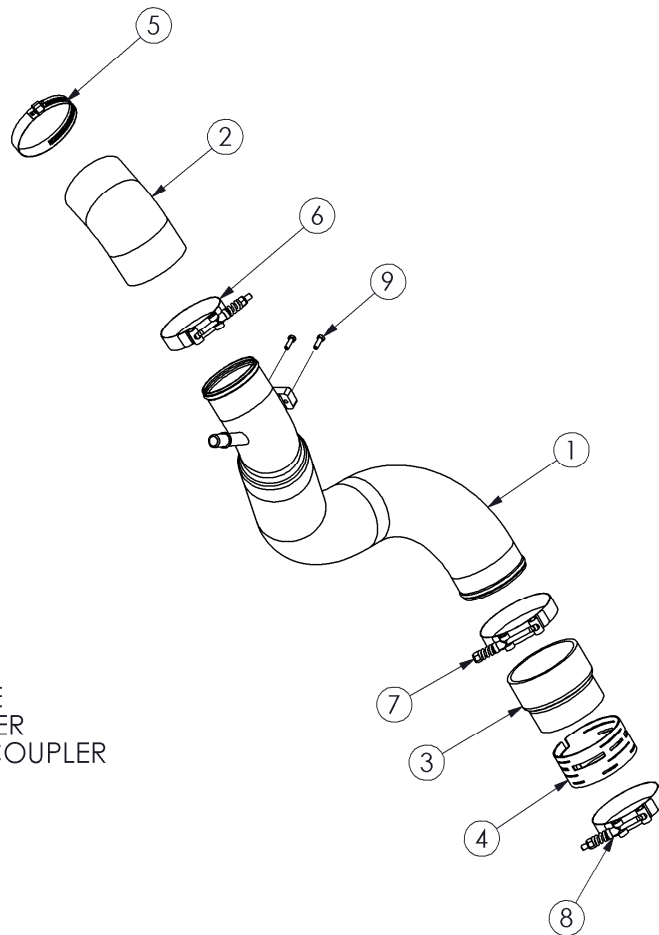


# IC2318C

INTERCOOLER PIPE KIT, COLD SIDE  
2011-2014 3.5L FORD F150 ECOBOOST

**MBRP**  
INC.  
PERFORMANCE EXHAUST



1. CS INTERCOOLER PIPE
2. 3" X 45° HOSE COUPLER
3. 3.5" TO 80mm HOSE COUPLER
4. LOCKING COLLAR
5. #56 HOSE CLAMP
6. 3" HOSE CLAMP
7. 3.5" HOSE CLAMP
8. 3.25" HOSE CLAMP
9. M5 HEX BOLT (2 PCS.)

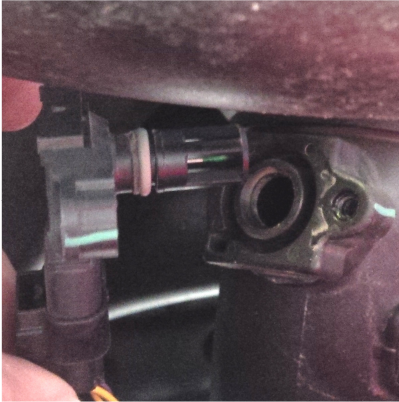
## PLEASE READ BEFORE STARTING INSTALLATION

While MBRP Inc. has made every effort to ensure that all components of this system are of superior quality and properly packaged, it is the installer's responsibility to ensure the following before removal of the factory exhaust:

- that ALL components shown above are present.
- that ALL mating components fit together.
- that there are no damaged components.
- that the system you have purchased is appropriate for your vehicle year, model and configuration.
- that the system will not interfere with any modifications previously installed or planned.
- that you have read and understand these instructions.

If you have any questions or are uncertain about any aspect of the installation of this system to your vehicle please contact your dealer before commencing installation.

### Removal of Stock Pipe:



**Figure 1**

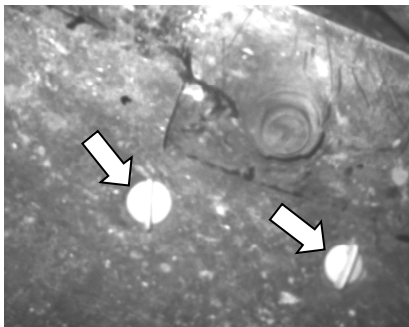
1. Remove the “Y” section of the air intake by loosening the hose clamps from the rubber connections.

2. Disconnect the vent line from the cold side (CS) stock pipe by lifting the grey locking clip and pulling on the fitting.

3. Remove the two screws securing the MAP sensor to the stock pipe, then remove the sensor (It will be reused). **Refer to Figure 1.**

4. Remove the quarter-turn and push-pin fasteners holding on the flexible panel underneath the vehicle, and remove the panel.

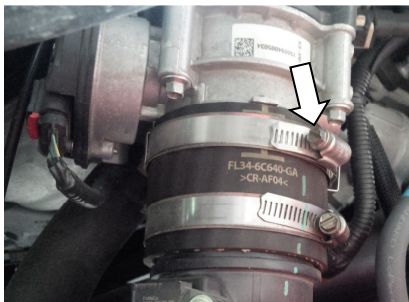
**Refer to Figure 2**



**Figure 2**

5. Loosen the hose clamp on the intake and then remove the hose. **Refer to Figure 3.**

6. Remove the wire retaining ring at the intercooler outlet and then remove the bottom end of the CS pipe from the intercooler. Remove the pipe completely from the bottom of the vehicle. Keep the wire retaining ring; it will be reused with the new pipe. **Refer to Figure 4.**



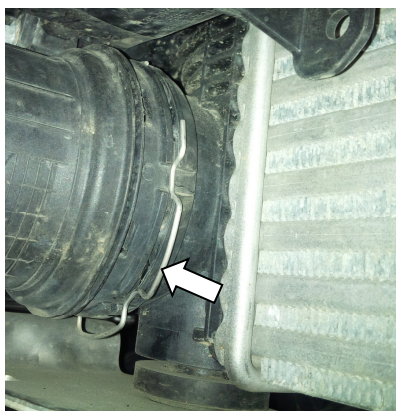
**Figure 3**

### Installation of MBRP Inc. Intercooler Pipe:

**NOTE: ENSURE THAT THE INSIDE OF THE INTERCOOLER PIPE IS CLEAN BEFORE INSTALLATION.**

1. Install the **3.5” to 80mm Hose Coupler** onto the intercooler outlet, by first placing the **Locking Collar** over the hose coupler, and the **3.25” Hose Clamp** over the collar. Slide the hose coupler completely onto the intercooler outlet and position the collar such that the outer slots are directly over the radial groove on the outlet, and the split in the collar is facing downwards. Centre the hose clamp between the narrow collar slots and tighten it. **Refer to Figure 5.**

2. Slide the previously-removed stock retaining ring over the **Locking Collar** such that the wire tabs fall into the collar slots and into the groove around the intake.



**Figure 4**



**Figure 5**

3. Install the **3" X 45° Hose Coupler** onto the top end of the **CS Intercooler Pipe**, securing it loosely using the **3" Hose Clamp**, then install the hose coupler onto the intake, loosely securing it with the **#56 Hose Clamp**.

4. Insert the bottom end of the **CS Intercooler Pipe** into the **3.5" to 80mm Hose Coupler** at the intercooler outlet, loosely securing it with the **3" Hose Clamp**.

5. Position the **CS Intercooler Pipe** to obtain the best fit and maximize clearances, and then fully tighten all clamps.

6. Reinstall the vent tube onto the **CS Intercooler Pipe** fitting, making sure that the retaining clip locks it into place.

7. Reinstall the sensor onto the **CS Intercooler Pipe** using the supplied **M5 Hex Bolts**.

8. Replace the panel underneath the vehicle and the "Y" from the air intake.

9. Verify that there is adequate clearance around all hoses, wiring, covers, etc. If not, relocate or adjust.

**Congratulations!** You are ready to begin experiencing the improved power and driving excitement of your MBRP Inc. intercooler pipe upgrade. We know you will enjoy your purchase.