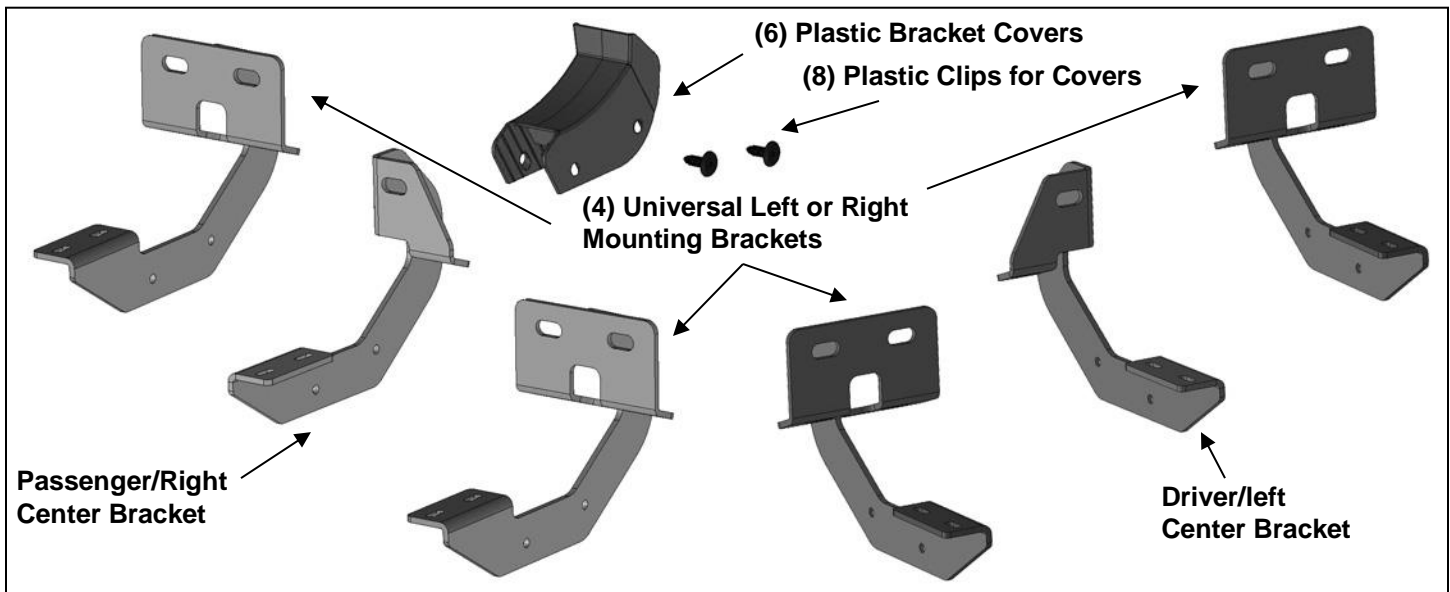




09-14 F150 Super Crew Cab Aluminum Running Boards

PARTS LIST:

2	Running Boards	10	8mm x 28mm OD x 3mm Large Flat Washers
4	Universal Front/Rear Brackets	20	8mm x 24mm OD x 2mm STD Flat Washers
1	Driver/Left Center Mounting Bracket	20	8mm Lock Washers
1	Passenger/Right Center Mounting Bracket	10	8mm Hex Nuts
6	Plastic Cover for Brackets	12	6mm x 20mm "T" Bolts
12	Plastic Clips for Covers	12	6mm x 22mm x 2mm Flat Washers
10	8mm Deep Clip Nuts	12	6mm Lock Washers
10	8-1.25mm x 30mm Hex Bolts	12	6mm Hex Nuts
10	8-1.25mm x 25mm Hex Bolts		



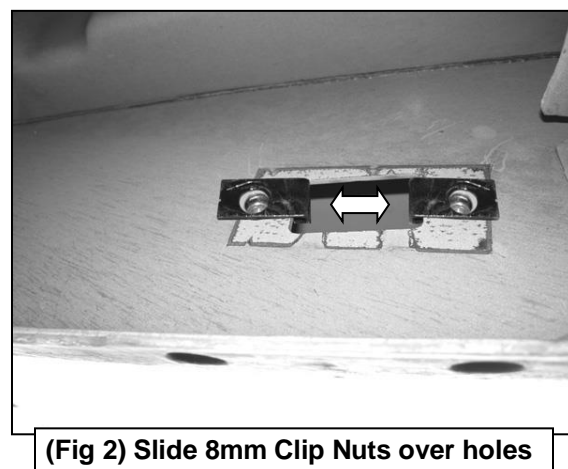
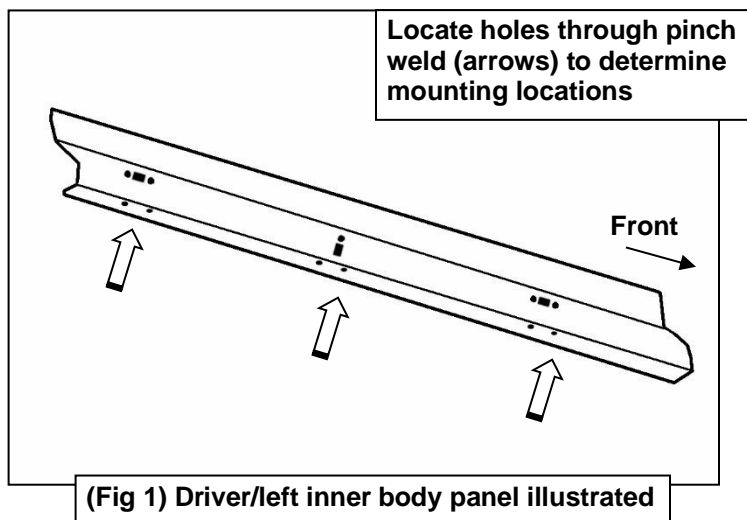
PROCEDURE:

- REMOVE CONTENTS FROM BOX. VERIFY ALL PARTS ARE PRESENT. READ INSTRUCTIONS CAREFULLY BEFORE STARTING INSTALLATION.**
- Starting on the driver/left side of the vehicle, locate the (2) holes in the bottom of the body panel, (pinch weld), toward the front tire, **(Figure 1)**. Next locate the rectangular opening and (2) small holes in the inner body panel directly above the holes in the pinch weld, **(Figures 1 & 2)**. **NOTE:** The holes in the inner panel may be covered with sealing tape or insulation.
- Slide (1) 8mm Clip Nut into the rectangular opening with the nut towards the inside. Line up the threaded nut on the clip with the round hole, **(Figure 2)**. Repeat to install the 2nd 8mm Clip Nut in remaining hole location.
- Select (1) Universal front/rear Mounting Bracket. Attach the Bracket to the (2) Clip Nuts with the included (2) 8mm x 30mm Hex Bolts, (2) 8mm Lock Washers and (2) 8mm x 28mm Large Flat Washers, **(Figures 3 & 5)**. **NOTE:** Depending on model and year, the brake cable may be run on the inside or outside of the Bracket. Do not tighten hardware at this time.
- Align the bottom holes in the front Bracket with the (2) holes in the pinch weld. Attach the Bracket to the pinch weld using the included (2) 8mm x 25mm Hex Bolts, (4) 8mm STD Flat Washers, (2) 8mm Lock Washers and (2) 8mm Hex Nuts, **(Figures 4 & 5)**. **NOTE:** Insert the bolts up from the bottom of the pinch weld and through the Bracket.
- Select (1) Plastic Cover and (2) Cover Clips. Slide the Cover over the top of the Bracket and line up the (2) holes in the cover with the holes in the Bracket, **(Figures 6 & 7)**. Insert the Cover Clips into the holes. Push the center pin in on each clip until it is flush against the outer ring to expand the clip.

7. Move along the cab to the center mounting location, (**Figures 1 & 8**). Locate the (2) holes in the pinch weld similar to the front location. Insert (1) 8mm Clip Nut into the rectangular opening and up to the single small round hole in the body panel, (**Figure 8**). Attach the top of the center Bracket to the Clip Nut with (1) 8mm x 30mm Hex Bolt, (1) 8mm Lock Washer and (1) 8mm x 28mm Large Flat Washer, (**Figures 9 & 10**). Line up the hole in the Bracket with the forward hole in the pinch weld. Attach the Bracket to the pinch weld with (1) 8mm x 25mm Hex Bolt, (2) 8mm STD Flat Washers, (1) 8mm Lock Washer and (1) 8mm Hex Nut, (**Figures 9 & 10**). Do not tighten hardware at this time.
8. Continue along the cab to the rear mounting location and locate the last (2) mounting holes in the pinch weld at the back of the cab, (**Figure 1**). Repeat **Steps 2—6** for rear Bracket and Cover installation, (**Figure 11**).
9. Select (1) Running Board and (6) 6mm T-Bolts. Locate the opening in the end of each channel in the bottom of the Running Board. Slide (3) T-Bolts into each channel, (**Figure 12**).
10. With assistance, carefully position the Running Board onto the (3) Mounting Brackets. Lift the Running Board up and slide the T-Bolts along the channels to line up with the Brackets. **IMPORTANT**: Do not slide the Running Board on the Brackets, (front to back or rotate), or the finish on the Running Board may be damaged.
11. Line up the front of the Running Board approximately 2" back, (or locate as desired), from the front wheel opening or mud flap if equipped. Attach the Running Board to the Brackets with (6) 6mm Flat Washers, (6) 6mm Lock Washers and (6) 6mm Hex Nuts, (**Figure 13**). Do not tighten hardware.
12. Level and adjust the Running Board and tighten all hardware.
13. Repeat **Steps 2—12** for passenger/right Running Board installation.
14. Do periodic inspections to the installation to make sure that all hardware is secure and tight.

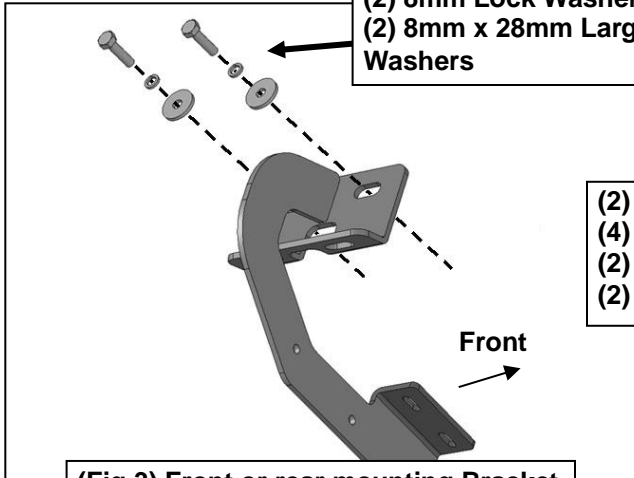
To protect your investment, wax this product after installing. Regular waxing is recommended to add a protective layer over the finish. Do not use any type of polish or wax that may contain abrasives that could damage the finish. Mild soap may be used to clean the Running Board.

Driver/left Side Installation Pictured



Driver/left Side Installation Pictured

- (2) 8mm x 30mm Hex Bolts
- (2) 8mm Lock Washers
- (2) 8mm x 28mm Large Flat Washers



(Fig 3) Front or rear mounting Bracket

- (2) 8mm x 25mm Hex Bolts
- (4) 8mm STD Flat Washers
- (2) 8mm Lock Washers
- (2) 8mm Hex Nuts

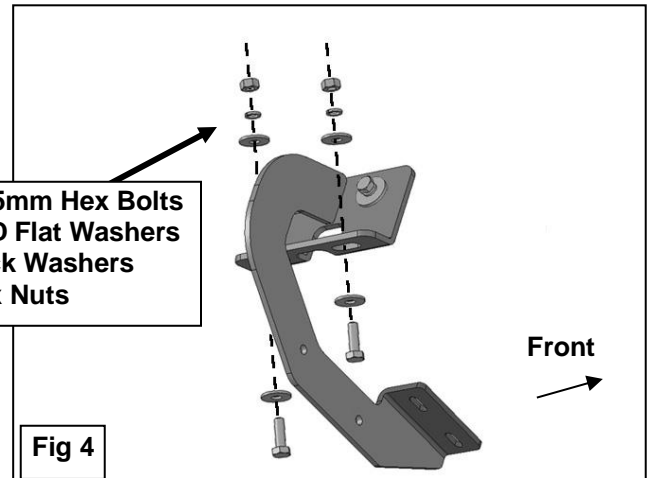
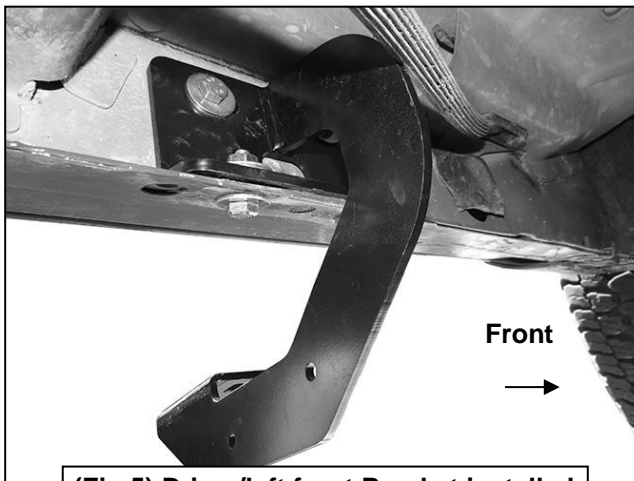
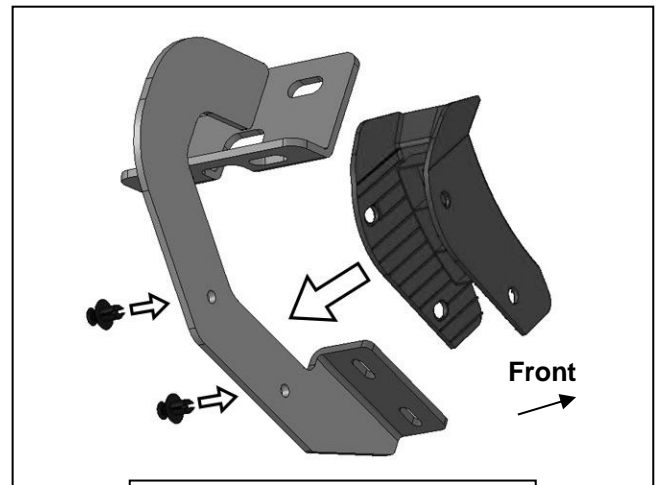


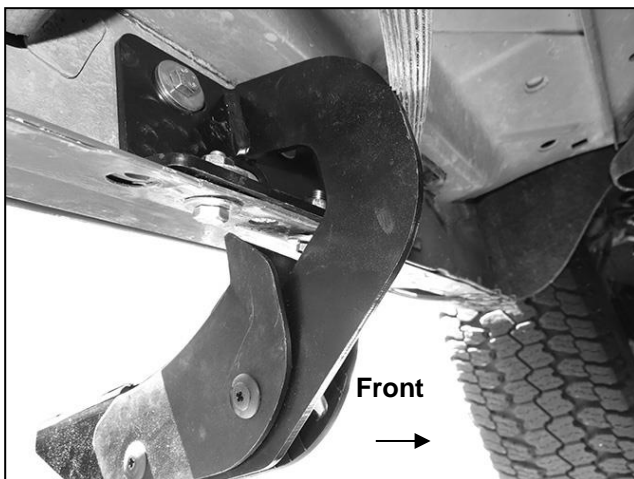
Fig 4



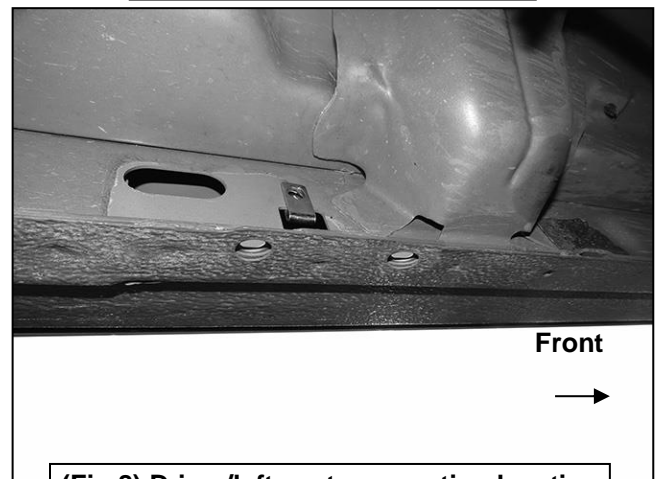
(Fig 5) Driver/left front Bracket installed



(Fig 6) Push center of pin into Clip to expand in Bracket

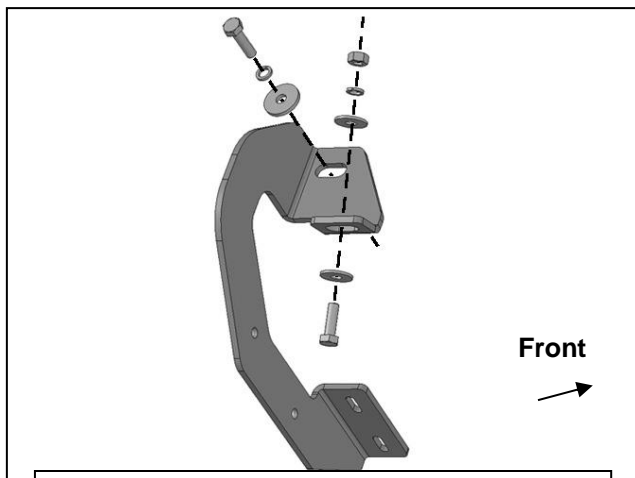


(Fig 7) Driver/left front Bracket installed

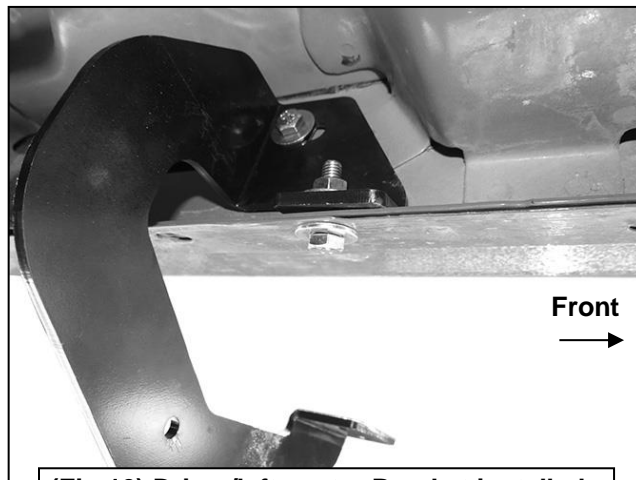


(Fig 8) Driver/left center mounting location

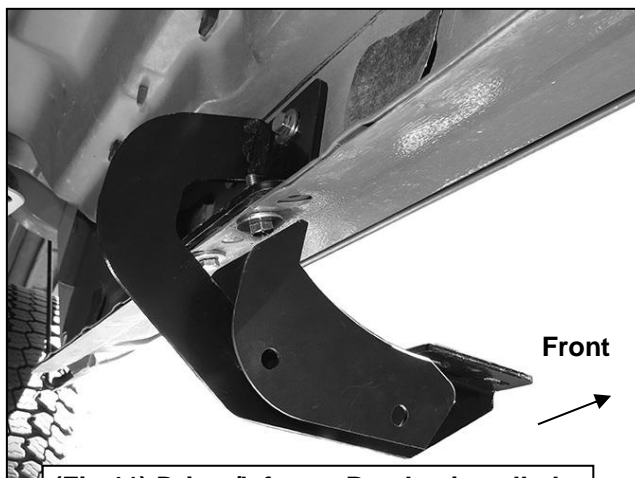
Driver/left Side Installation Pictured



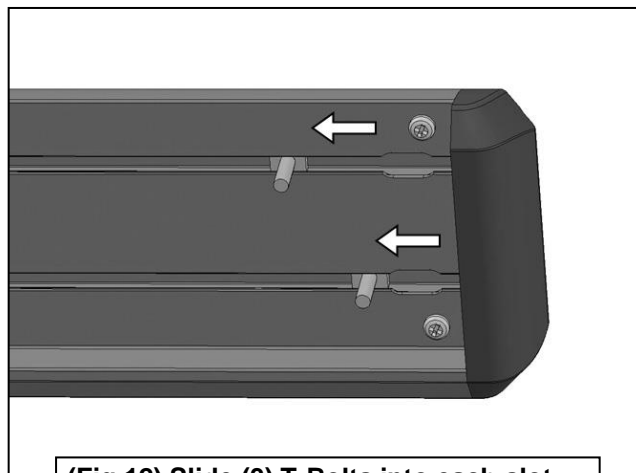
(Fig 9) Driver/left center Mounting Bracket



(Fig 10) Driver/left center Bracket installed

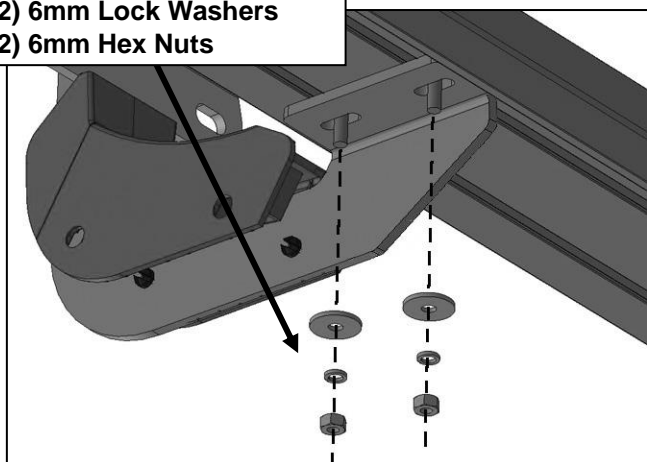


(Fig 11) Driver/left rear Bracket installed



(Fig 12) Slide (3) T-Bolts into each slot

- (2) 6mm Flat Washers
- (2) 6mm Lock Washers
- (2) 6mm Hex Nuts



(Fig 13) Attach T-Bolts in Running Board to Bracket



Complete Installation