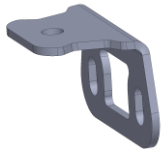


ACS Roof Top Tent Bracket instructions

APPLICABLE MODELS:
 ALL

PACKAGE CONTENTS



RTT Bracket
(QTY.4)



M8 X 20 cap screw
(QTY.4)

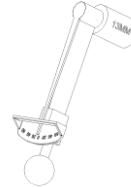


M8 T-Bolt
(QTY.8)



M8 locknut
(QTY.16)

TOOLS REQUIRED



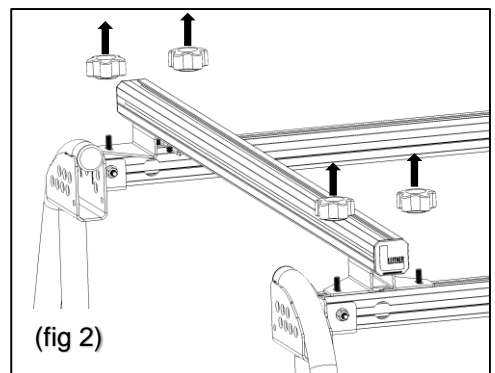
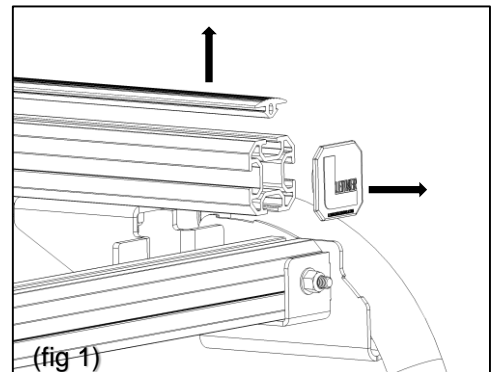
TORQUE WRENCH
 WITH 13MM DEEP
 SOCKET

BEFORE INSTALLATION

- 1) READ ENTIRE INSTRUCTIONS BEFORE PROCEEDING.
- 2) CLEAN INSTALATION AREA
- 3) MAKE SURE ALL TOOLS ARE AVAILABLE FOR INSTALL.

1 REMOVE CROSS BAR PAD AND ADJUSMENT KNOBS

- 1) REMOVE THE ENCAP AND RUBBER PAD FROM THE CROSS BAR EXTRUSION. (FIG 1)
- 2) REMOVE THE FOUR ADJUSTMENT KNOBS AND REPLACE WITH THE FOUR M8 LOCKNUTS SUPPLIED IN KIT. MAKE SURE THE CROSS BEAMS ARE AS FAR APPART AS POSSIBLE. TIGHTEN M8 LOCK NUTS TO 16 LB-FT (FIG 2)



ATTACH RTT BRACKETS

- 1) ATTACHE TWO RTT BRACKETS TO THE INSIDE FRONT AND INSIDE REAR CROSS BEAMS USING 8 T-BOLTS. LOOSLY TIGHTEN WITH M8 LOCKNUTS SO THAT THE BRACKETS CAN STILL SLIDE. (FIG 3)
- 2) ADJUST THE BRACKET AS SHOWN. THE BRACKETS ARE STILL LOOSE AND WILL BE ADJUSTED IN A FUTURE STEP. (FIG 4)
- 3) YOUR ROOF TOP TENT SHOULD HAVE SHIPPED WITH 4 SLIDE PLATES. INSTALL THE SUPPLIED M8 X 20 SCREWS INTO THE SLIDE PLATE AND INSTALL TWO INTO EACH TENT MOUNTING RAIL. (FIG 5)
- 4) USING A FORKLIFT (RECOMMENDED) OR 3 OF YOUR STRONG FRIENDS LIFT THE ROOF TOP TENT ONTO THE TOP OF THE RACK.
- 5) LIFT EACH CORNER OF THE TENT AND POSITION THE M8 X 20 CAP SCREWS INTO THE HOLE ON THE RTT MOUNTING BRACKET. LOOSLY TIGHTEN THE M8 NUTS ONTO THE M8 X 20 CAP SCREWS. (FIG 6)
- 6) CAREFULLY WALK AROUND THE VEHICLE AND MAKE SURE THE TENT IS CENTERD ON THE RACK.
- 7) TIGHTEN ALL THE M8 LOCKNUTS TO 16IN-LB.
- 8) IS RECOMMENDED THAT YOU CHECK THE TORQUE OF ALL THE BOLTS ON THE RACK AND TENT FREQUENTLY TO INSURE EVERYTHING IS TIGHT.

