

Installation for the Ford F-150 Down Pipe PNs 60627, 60629



******* Please compare the parts in the box with the bill of materials provided *****
to assure that you have all the parts necessary for this installation.**

These instructions have been written to help you with the installation of your Borla Performance Exhaust Component. Please read this document completely before beginning the installation of your system.

To ensure this part number fits your specific model year, please visit our website for the latest model year listings at www.BORLA.com

Thank you for purchasing a Borla Performance Exhaust Component.

Borla Performance Exhaust Components (PN-60627, 60629) are designed for the Ford F-150 Eco Boost equipped with a 3.5L V6 Twin Turbo engine, automatic transmission.

PN-60627, 60629 COMPONENTS ARE NOT EMISSIONS COMPLIANT.

****FOR COMPETITION USE ONLY ****

Borla Performance Industries recommends that an exhaust shop or professional after market parts installer, who has all the necessary equipment, tools and experienced personnel needed for proper installation, should perform the installation of this system. However, if you decide to perform the installation, we recommend someone should help you. Ensure the installer uses all under car safety precautions including eye protection.

Please take time to read and understand the following...

By installing your Borla Performance Exhaust Component, you indicate that you have read this document and you agree with the terms stated below.

It is the responsibility of the purchaser to follow all installation instruction guidelines and safety procedures supplied with your Borla Performance Exhaust Component.

Borla Performance Industries assumes no responsibility for damages occurring from misuse, abuse, improper installation, improper operation, lack of responsible care, or all previously stated reasons resulting from incompatibility with other manufacturer's products and/or systems.

Included with your Borla Performance Exhaust Component is a warranty card. Please read it carefully before you begin any work on your vehicle. If you should have any questions regarding our warranty policy, installation, or any other matter pertaining to your new Borla Performance Down Pipe System, please give us a call at the number provided on the warranty card.

Minimum Required Tool List:

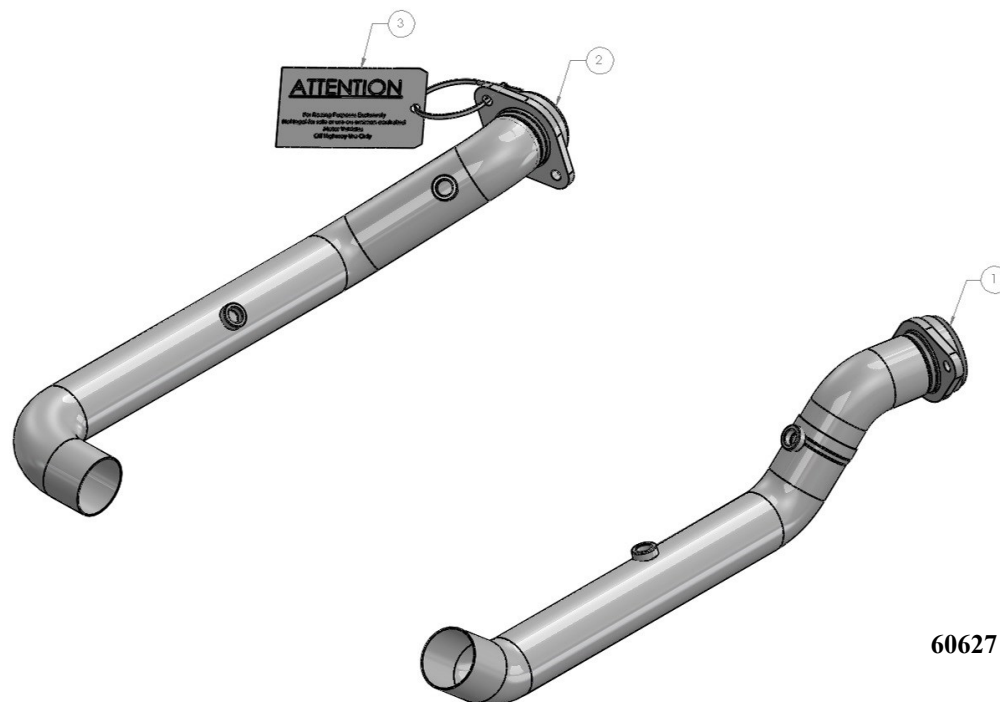
TOOLS:

1. 3/8” Drive Ratchet
2. 3/8” Drive Extension 6” & 12”
3. 3/8 Swivel
4. 7/8 Wrench
5. 15mm Deep Well Socket
6. 18mm socket
7. 13mm socket
8. Pry Bar

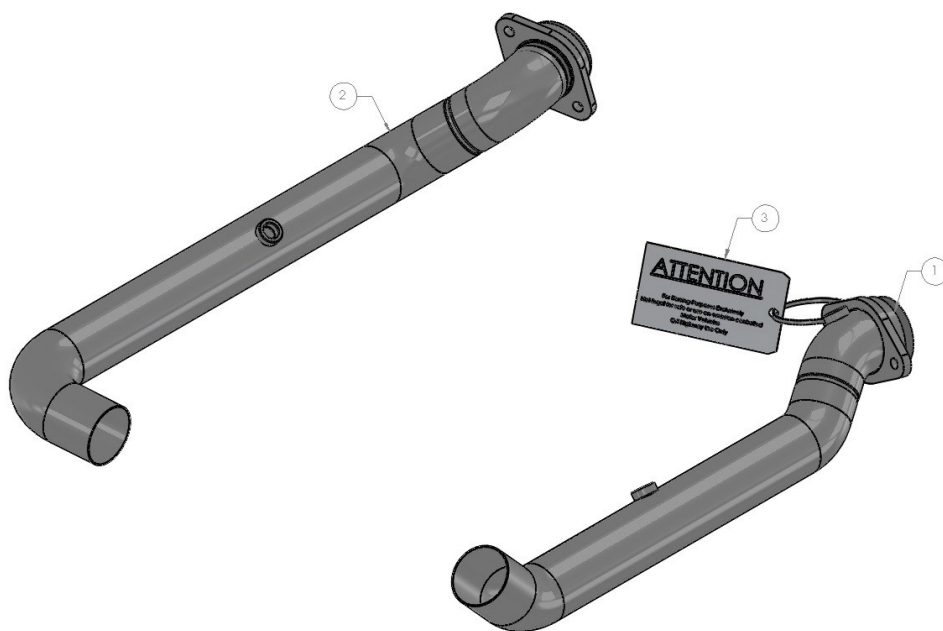
SHOP SUPPLIES:

- 1 Spray Lubricant

Borla Performance - Bill of Materials



ITEM NO.	QTY.	PART NUMBER	DESCRIPTION
1	1	56228	R/H CAT-DELETE ASSEMBLY
2	1	56229	L/H CAT-DELETE ASSEMBLY
3	1	96240	OFF HIGHWAY USE ONLY DISCLAIMER



60629

ITEM NO.	QTY.	PART NUMBER	DESCRIPTION
1	1	56225	R/H CAT-DELETE ASSEMBLY
2	1	56226	L/H CAT-DELETE ASSEMBLY
3	1	96240	OFF HIGHWAY USE ONLY DISCLAIMER

Caution!!! *Never work on a hot exhaust system. Serious injury in the form of burns can result if the vehicle has been in use and the exhaust system is hot, allow vehicle to cool for at least 1 hour. Always wear eye protection when working under any vehicle.*

Note: *It is our recommendation that you use a hoist or hydraulic lift to facilitate the installation of your new Borla Performance Exhaust Component.*

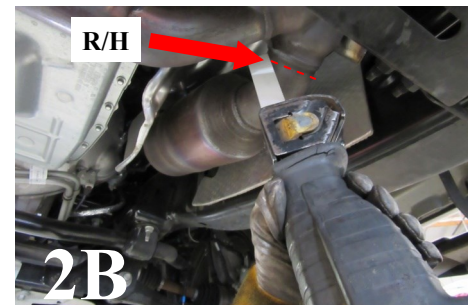
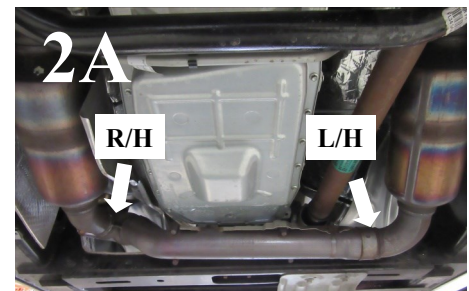
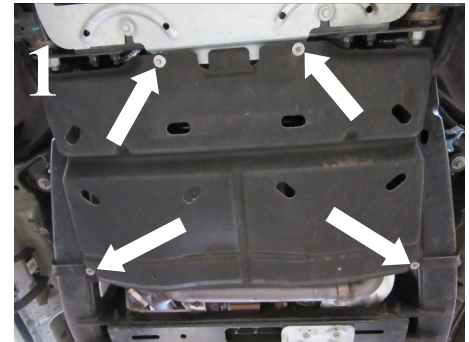
Taking all under car safety precautions, lift the vehicle using a hoist or hydraulic lift. Once this has been done, you may begin the removal of your old exhaust system from your vehicle.

Note: *Before removing the original exhaust system from your vehicle, please compare the parts you have received with the bill of materials provided on the previous page to assure that you have all the parts necessary for the installation of your new Borla Performance Exhaust Component.*

Note: *With a used vehicle, we suggest a penetrating spray lubricant to be applied liberally to all exhaust fasteners and allowing a significant period of time for the chemical to lubricate the threads before attempting to disassemble.*

Original Down Pipe System Removal

1. Remove the exhaust cover and retaining hardware for re-installation. (See Fig. 1)
2. Loosen and remove clamp on L/H pipe behind catalytic converter (See Fig. 2A). Use a metal-cutting-bladed saw, cut the R/H catalytic converter close to the weld at the Y-pipe. (See Fig. 2B)
3. Loosen and remove (2) flange nuts from the R/H catalytic converter and remove from the vehicle. (See Fig. 3) Deburr the outlet side of the R/H converter.
4. Loosen and remove (2) flange nuts from the L/H catalytic converter and remove from the vehicle, and retaining hardware for reinstallation.
5. Using a muffler stand or an additional person to support the L/H cross-over pipe assembly, loosen and slide the converter down. Remove the hangers from the rubber isolators and remove the L/H crossover pipe assembly from the vehicle. (See Fig. 4)

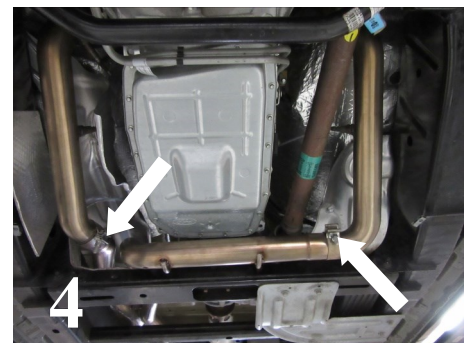
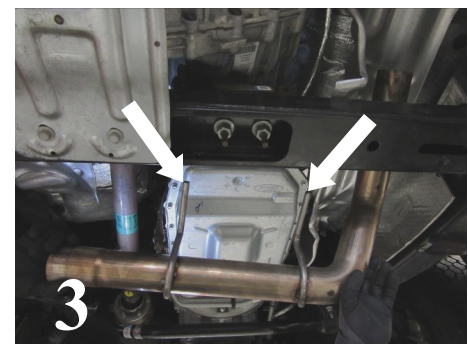
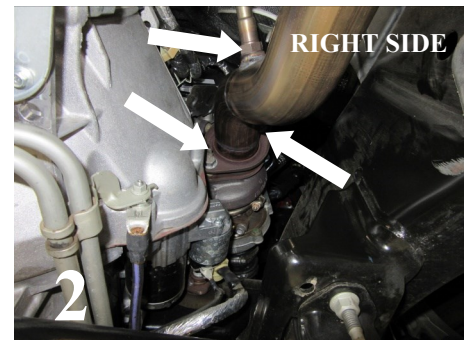
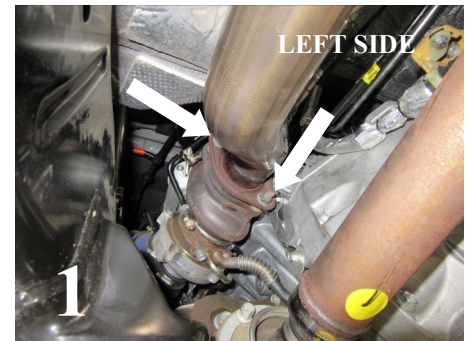


WARNING: *Use extreme caution during installation. Torque all fasteners according to manufacturer's torque values and tightening sequence. **DO NOT** use air impact tools to tighten fasteners on Borla Performance Exhaust Systems. Use of such tools may result in bent flanges or gasket contact areas leading to exhaust leaks.*

NOTE: *When you first start your vehicle after the installation of your new Borla Performance Exhaust System, there may be some smoke and fumes coming from the system. This is a protective oil based coating used in the manufacturing of mandrel bent performance exhaust tubing. This is not a problem and will disappear within a very short period of time after the exhaust has reached normal operating temperatures.*

Borla Performance Exhaust Component Installation

1. Orient components on floor for your Part Number referencing drawings on pages 2-6.
2. Using the original hardware install the OE R/H & L/H catalytic converters to vehicle. Place a clamp over the expanded end of the **L/H Front Pipe Assembly** and install to L/H catalytic converter outlet. Insert hangers into the rubber isolator. (See Fig. 1)
3. Place a clamp over the expanded end of the **R/H Front Pipe Assembly** and install to R/H catalytic converter outlet. (See Fig. 1)
4. Place clamps over the expanded ends of the **X-pipe Assembly** and insert the inlet to the **L/H and R/H Front Pipe Assemblies**. (See Fig. 2) Do not tighten the clamps.
5. Place a clamp over the expanded end of both **Intermediate Pipe Assemblies** and insert the inlet into the outlet of the **X-Pipe Assembly**. Insert the hanger into the rubber isolator. (See Fig. 3) Do not tighten the clamp.
6. Place a clamp over the expanded end of the **L/H Muffler Assembly** and insert the inlet into the **L/H Intermediate Pipe**. (See Fig. 4) Do not tighten the clamp.
7. Place a clamp over the expanded end of the **R/H Muffler Assembly** and insert the inlet into the **R/H Intermediate Pipe**. Insert the hanger into the rubber isolator. Do not tighten the clamp. (See Fig. 4)
8. **Refer to installation instructions for your Borla True Dual catback exhaust.**



WARNING: Use extreme caution during installation. Torque all fasteners according to manufacturer's torque values and tightening sequence. **DO NOT** use air impact tools to tighten fasteners on Borla Performance Exhaust Component. Use of such tools may result in bent flanges or gasket contact areas leading to exhaust leaks.

NOTE: When you first start your vehicle after the installation of your new Borla Performance Exhaust Component, there may be some smoke and fumes coming from the system. This is a protective oil based coating used in the manufacturing of mandrel bent performance exhaust tubing. This is not a problem and will disappear within a very short period of time after the exhaust has reached normal operating temperatures.