

HEAVY DUTY BUMPER INSTALLATION FBM48FDN

2009-2014 FORD F150 Gas-NON Eco-Boost (With Winch Mount)

1/8/14

Visit the ICI Web Site for other exciting accessories for your vehicle. WWW.ICIONLINE.COM

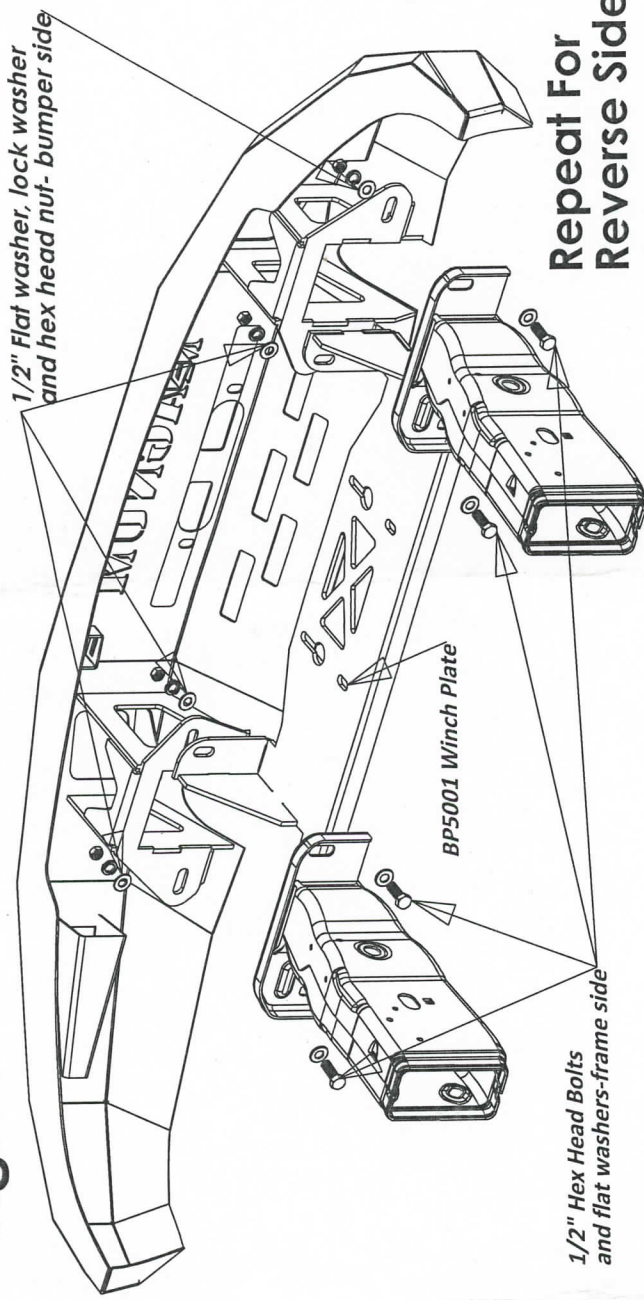
Hardware Kit Includes:

- (1) 4— 1/2-13 x 1 1/2 Hex Head Bolt
- (2) 8— 1/2" Flat Washer grade 8
- (3) 4— 1/2" lock washer grade 8
- (4) 4— 1/2"-13 Hex Head Nuts
- (5) 4— 3/8-16 x 1.0" Hex head bolt
- (6) 4— 3/8 USS Flat washer
- (7) 4— 3/8 lock washer zinc
- (8) 4— 8mm Spring nuts - 1.25
- (9) 4— 8mm x 25mm x 1.25 Hex Head Bolts
- (10) 4— 8mm flat washers

Components List:

- 1— Magnum Series Bumper
- 2— Support L-Brackets (BP5036)
- 3— BP5001 Winch plate

Fig. A



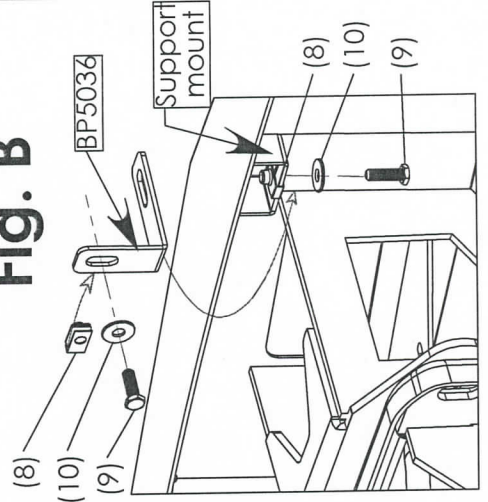
LOOSE FIT ALL COMPONENTS. DO NOT TIGHTEN UNTIL ALL COMPONENTS ARE INSTALLED AND ADJUSTED.

DISCLAIMER: USE ONLY COMPONENTS AND HARDWARE SUPPLIED BY ICI. NO SUBSTITUTIONS.

Removal

- STEP 1. Open Hood of truck, locate & remove (2) inner 10mm bolts attaching hood latch mechanism to front bumper from the inside. One located on either side of the latch mechanism.
- STEP 2. Remove plastic trim push-tabs from the back side of the bumper holding the splash guard in place. Leave splash guard attached to the core support area. (if so equipped)
- STEP 3. Remove the (4) 2.1mm head retaining nuts attaching the bumper assembly at the frame. Remove by lifting up from the bottom and outward.
- STEP 4. Remove factory tow hooks and save for re-installation along with all the tow hook mounting hardware.

Fig. B



HEAVY DUTY BUMPER INSTALLATION FBM48FDN

2009-2014 FORD F150 Gas Non-Eco-boost (With Winch Mount) 1/3/14

Installation:

- STEP 1.** Remove all components from their packaging and inspect hardware to ensure you have the correct amount. Lay bumper on a blanket or cardboard to prevent damaging the powder coat finish.
- STEP 2.** If you have purchased lights to install into the FBM48FDN bumper we recommend doing so before installation onto the vehicle. Utilize hardware provided by the light manufacturer. Leave slightly loose for adjustment after completing the bumper installation.
- STEP 3.** Once lights have been installed; lift and support the FBM48FDN bumper up onto frame of the vehicle, Bolt in place using two of the supplied $\frac{1}{2}$ x $1\frac{1}{2}$ " Hex bolts (1), washers (2), lock washers (3) and nuts (4) into the outer two mounting holes and into the corresponding factory bolt holes, leave loose. (See Fig. A).
- STEP 4.** Align the bumper and once you are satisfied, snug the $\frac{1}{2}$ " hardware to the frame. Next install the BP5001 Winch plate into the two inner hole locations and attach using the remaining $\frac{1}{2}$ " hex head bolts, flat washers and hex head nuts (leave slightly loose). Next install the two 12mm factory bolts from the O.E. Skid plate mounting bracket into the two rear mounting holes on the winch plate. Once all four bolts are in place, align and tighten. (torque to 75ft/lbs)
- STEP 5.** Next install two of the supplied 8mm spring speed clips (8) onto the short side of both support-L-Brackets (BP5036). Attach the remaining two clips onto the welded support mount on bumper. (See Fig. B). The Support L-Brackets (BP5036) attach to the welded support mounts using 8mm hex head bolts (9) and flat washers (10) located inside/top of the bumper (See Fig. B). Now attach L-Brackets (BP5036) into the pre-existing factory holes located just outside of the hood latch mechanism, using the remaining 8mm hex head bolts (9) and flat washers (10). Adjust the valance to obtain even spacing along the top of the bumper, once you are satisfied with the fit, tighten the latch support bracket bolts. Torque to 15ft/lbs.
- STEP 6.** Re-using factory tow hooks and tow hook hardware, line up with bottom holes in the frame and install (4) factory bolts and welded nuts, adjust and tighten. Next with the hood open install one of the approved winches onto the (BP5001) winch plate using the hardware supplied by the winch manufacturer. Attach fairlead to the supplied mounting holes in the FBM48FDN and feed winch cable through before installing hook.
- STEP 7.** Recheck that all hardware is properly torqued. You are now finished, Thank you for purchasing and enjoy your new **ICI Magnum Bumper**.

Visit the **ICI Web Site** for other exciting accessories for your vehicle. WWW.ICIONLINE.COM