

DEUCE

2 IS
BETTER
THAN 1

Owner's & Installation Manual

READ INSTRUCTIONS - Failure to assemble cover properly will void warranty.

OWNER'S MANUAL



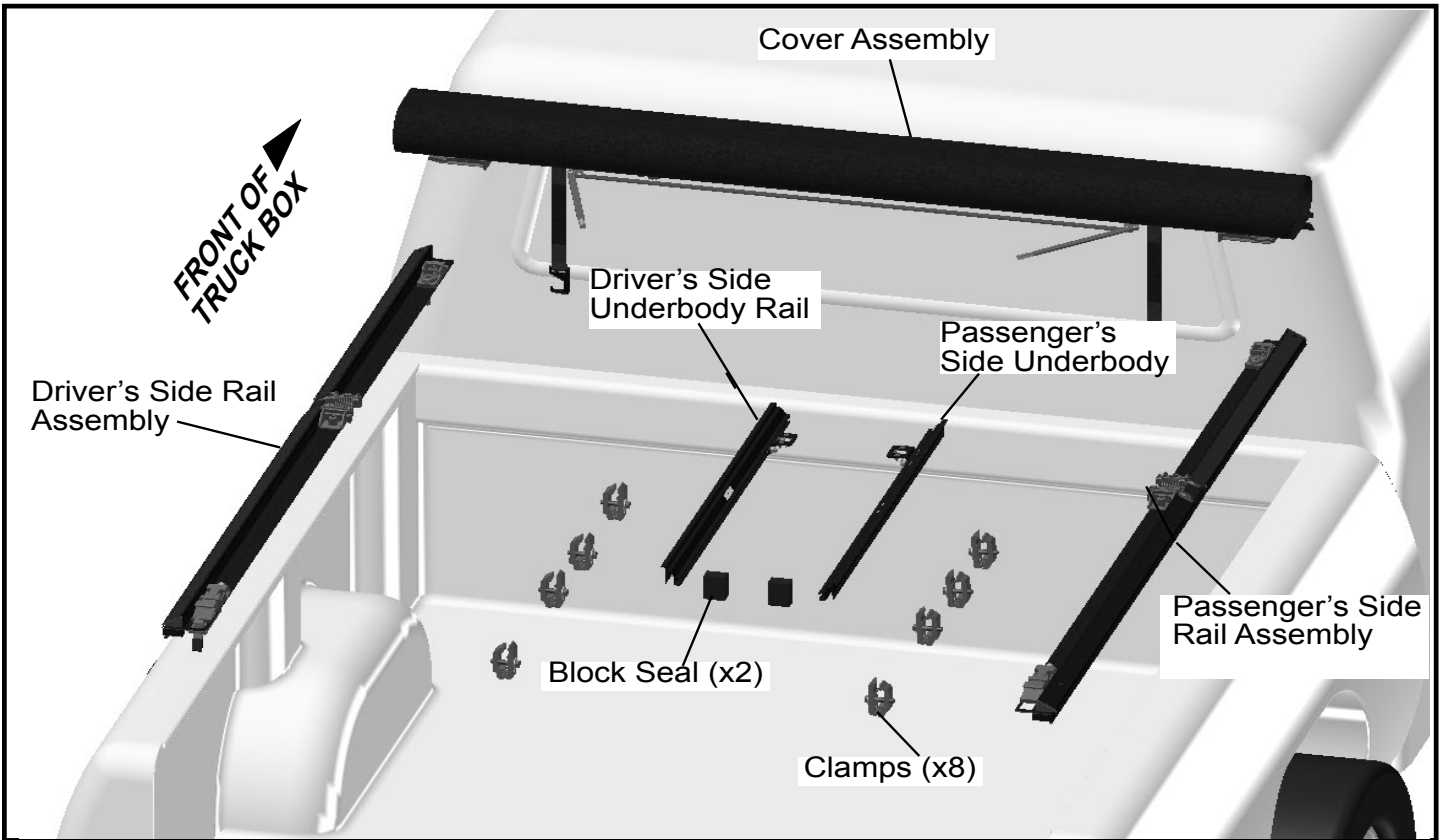
Damaged or missing parts?
Call 1-877-878-9336
Mon - Fri 8 am - 5 pm CT
Parts will be shipped to you factory direct.
Do not return kit to place of purchase.

Tools Required:
-3/8" Ratchet
-1/2", 9/16" Socket
-Tape Measure
- Pencil (For marking Locations)
- Small Spring Clamps (Optional,
used to hold rails in place while
clamping)

PICKUP BED COVER

2209 Kellen Gross Dr., Yankton SD 57078
Phone: 1-877-TRUXEDO (1-877-878-9336) Fax: (605) 664-9304
Web Site: <http://www.truxedo.com>

TruXedo® Deuce is a registered United States trademark of TruXedo. Patents pending.



STEP 1 Attach Foam Block Seals. Peel white paper backing off and attach foam corner block seals.

Front Bulkhead

1/4"

Driver Side

Front Bulkhead

1/4"

Passenger Side

STEP 2 Attach Underbody Rail and Clamp Components.

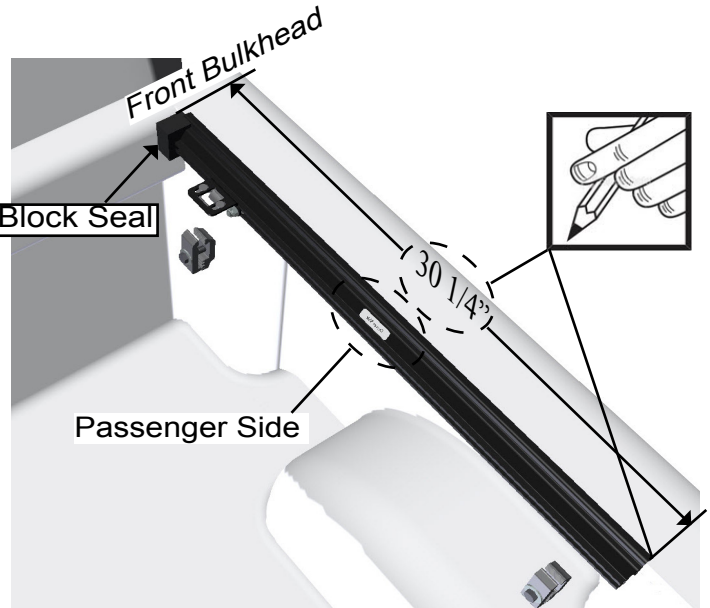
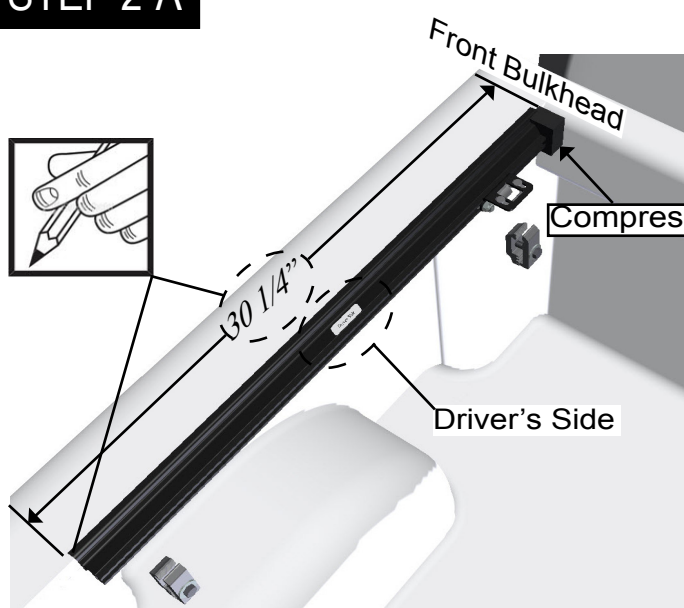
Clamps

Driver Underbody Rail

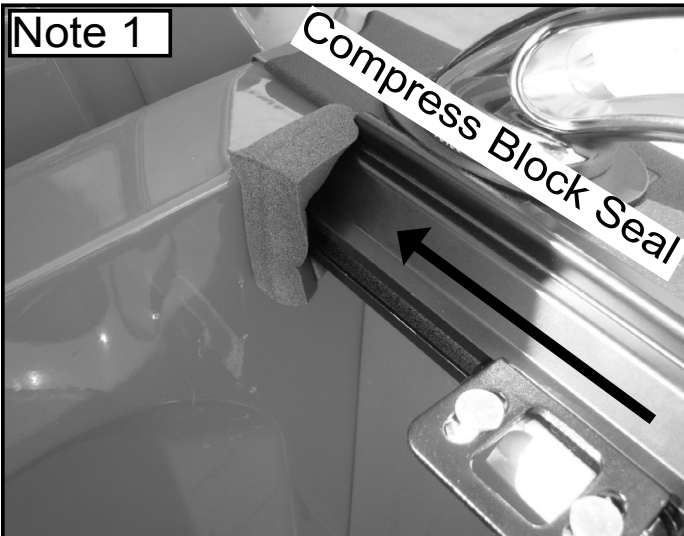
Passenger Underbody Rail

STEP 2-A

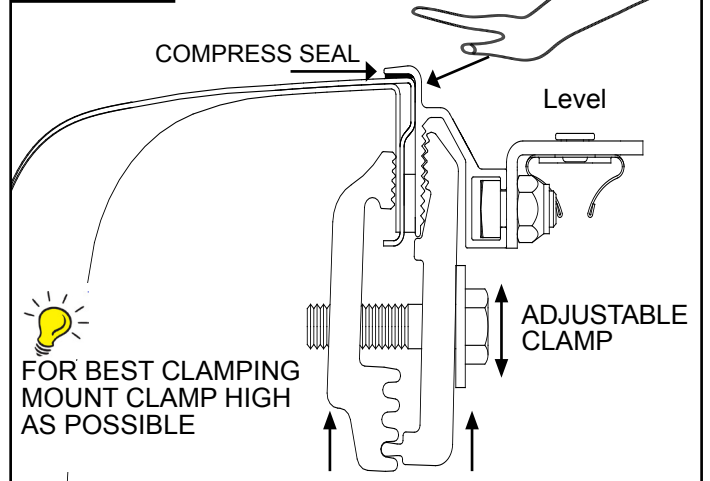
Attach driver and passenger side underbody rails, see note 1 & 2 for installation hints.



Note 1

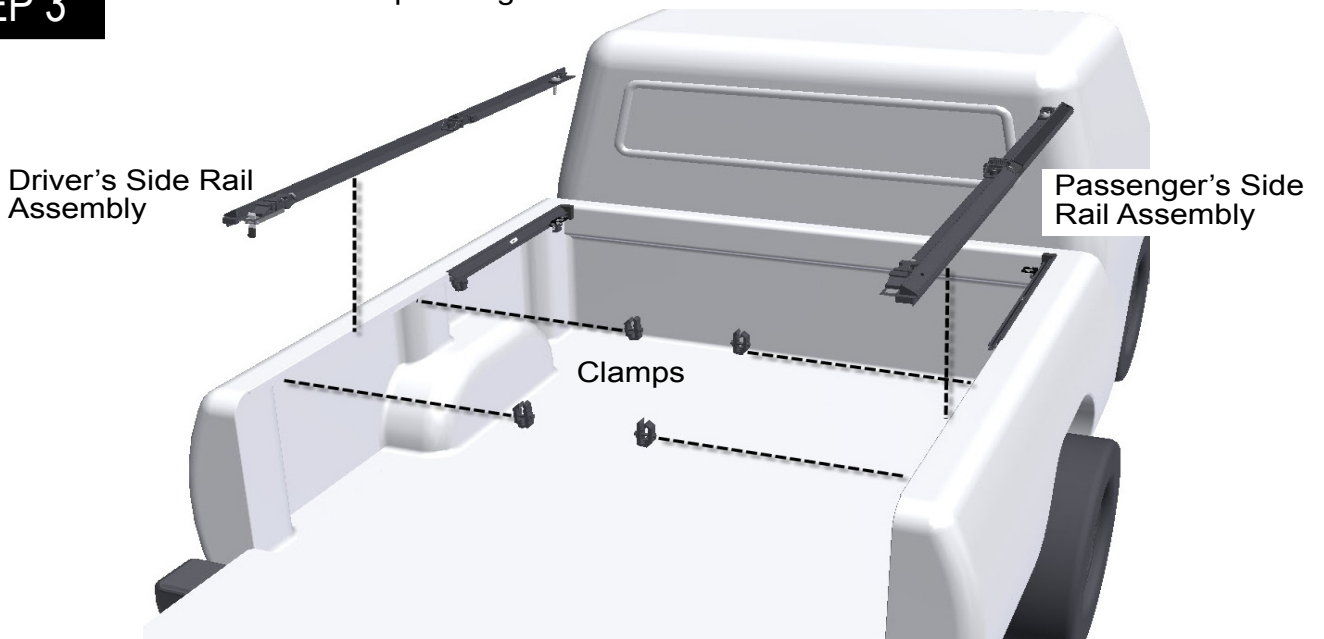


Note 2



STEP 3

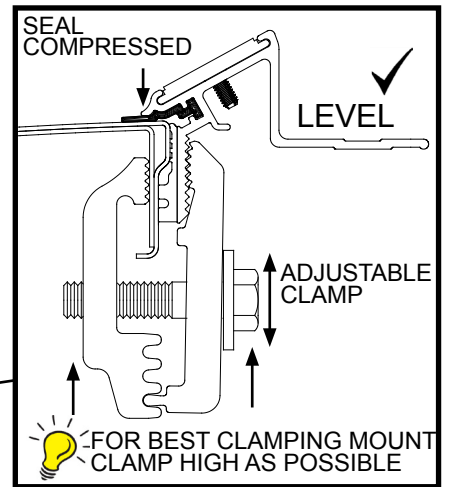
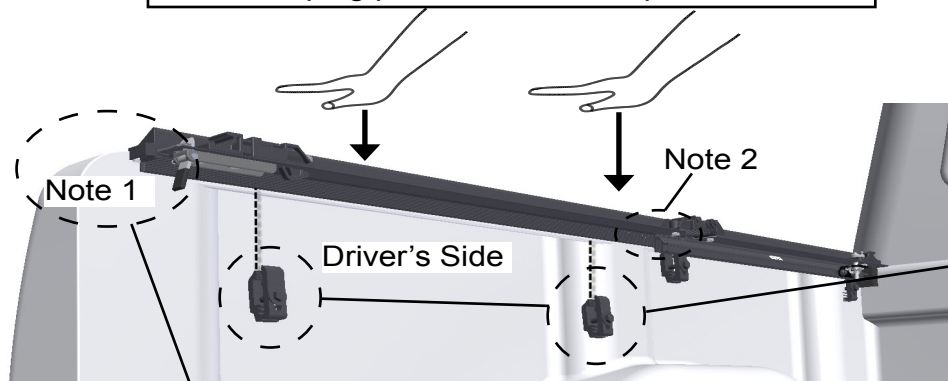
Position driver and passenger rails.



STEP 3-A

Position and install driver side rail assembly with clamps, see note 1 and 2 for installation hints.

While clamping press down to compress side seal



Note 1

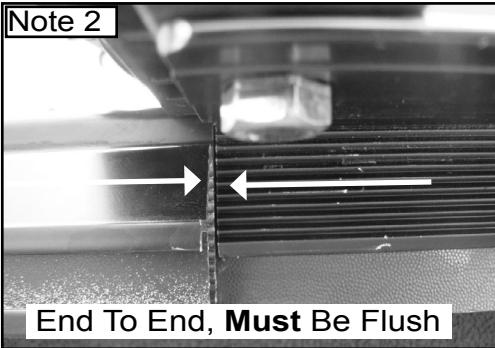
Driver's Side Shown

3/8"

Tailgate

If rear seal is not slightly compressed then reposition assemblies rearward slightly.

Note 2



! WARNING Tighten clamps securely on side rails before driving vehicle.

STEP 3-B

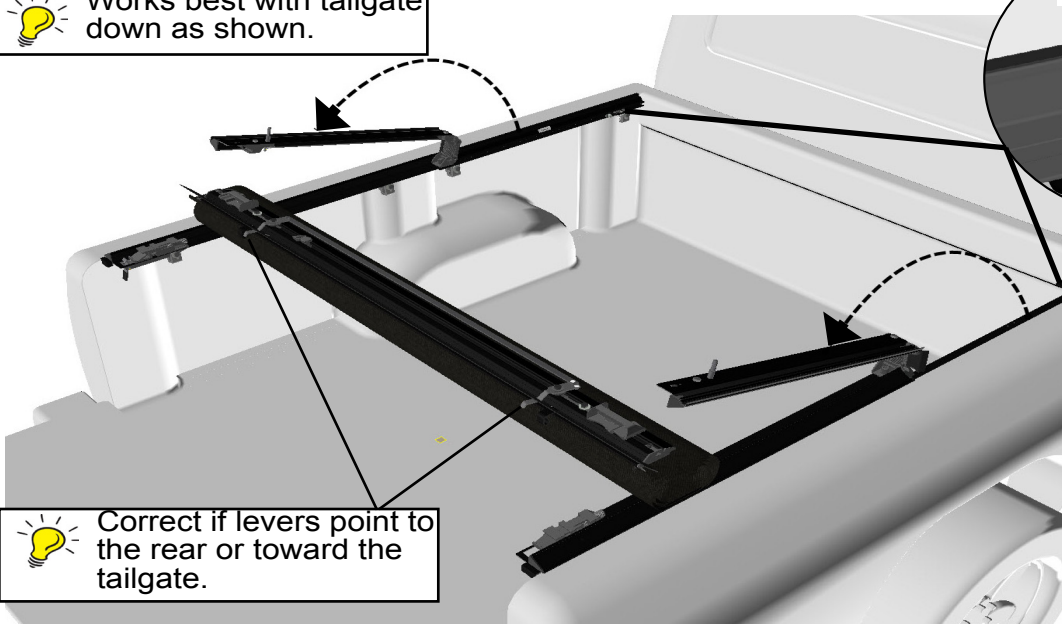
Repeat step 3-A to position and install passenger side rail assembly with clamps, see notes 1 and 2 in step 3-A for installation hints.

! WARNING Tighten clamps securely on side rails before driving vehicle.

STEP 4

Attach cover assembly to the driver and passenger side rails as shown.

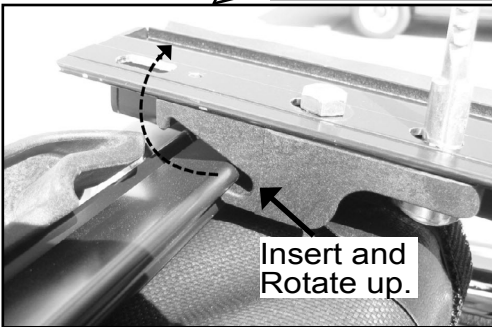
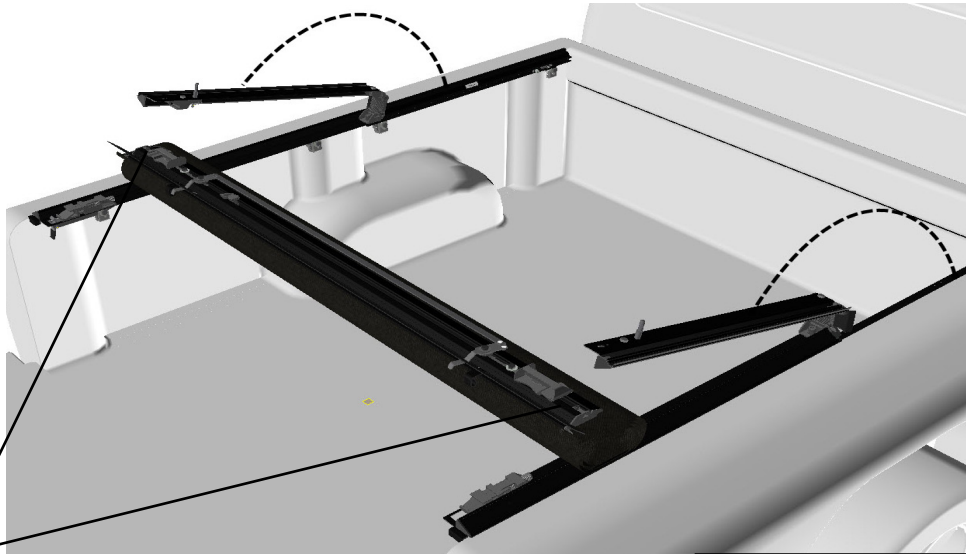
Works best with tailgate down as shown.



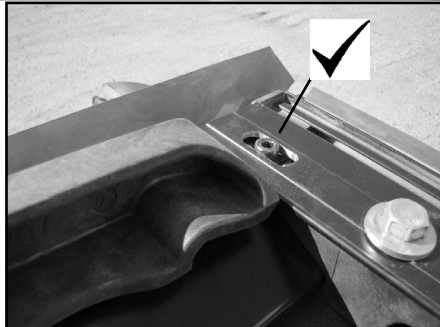
Correct if levers point to the rear or toward the tailgate.


STEP 4-A


Attach cover assembly to the driver and passenger side rails as shown.



Insert and Rotate up.



 Simultaneously insert front header in both driver and passenger side header stops.

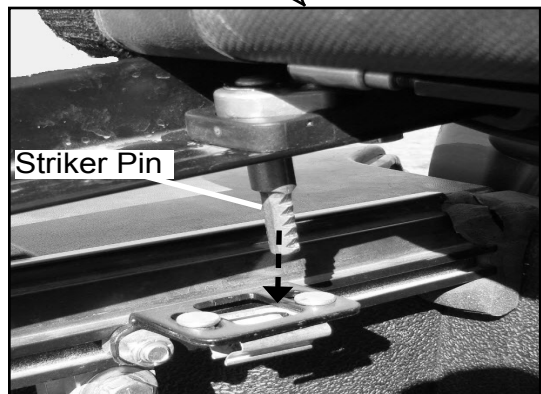
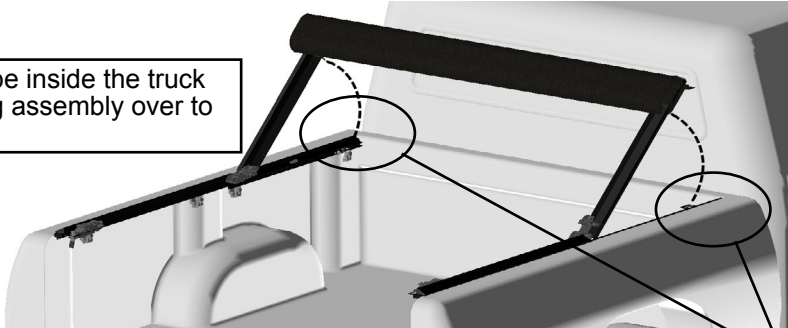
 Lock both driver and passenger side.

STEP 5

Rotate attached cover assembly over to the cab and engage strikers into latch brackets.



Installer should be inside the truck box when rotating assembly over to the front.



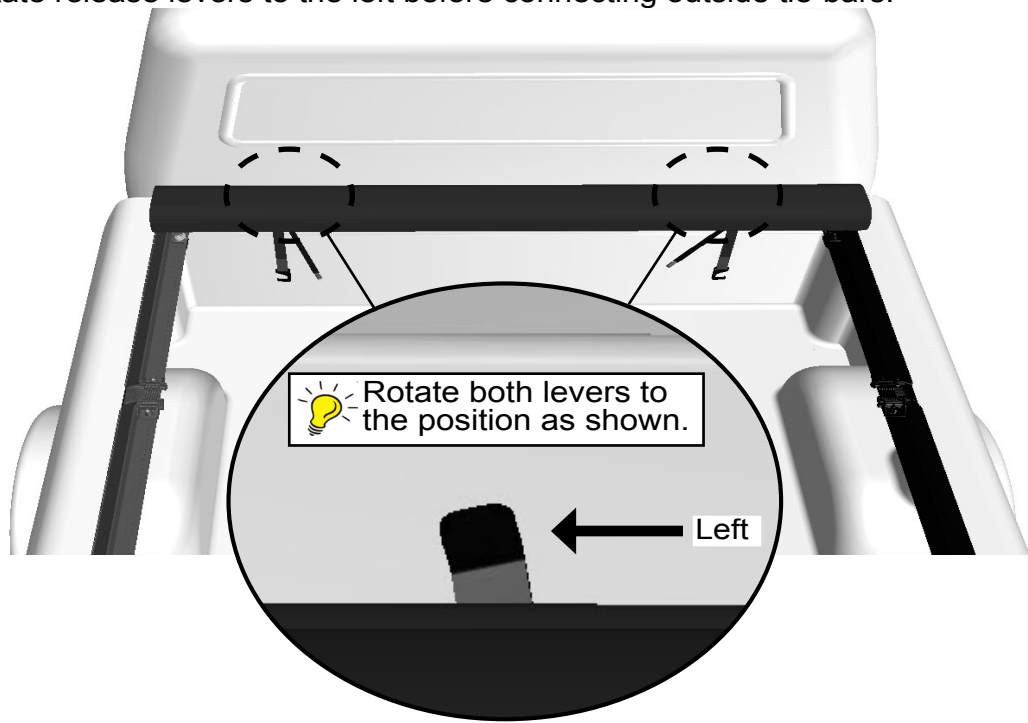
Striker Pin



Use CAUTION, cover assembly is heavy. Use both hands to guide striker pins into position.

STEP 6

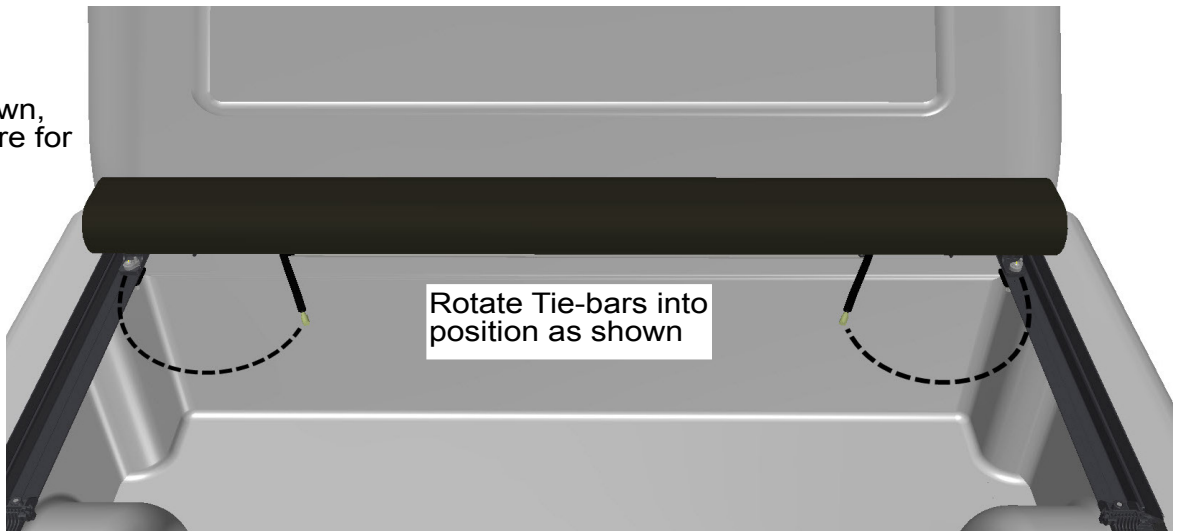
Rotate release levers to the left before connecting outside tie-bars.



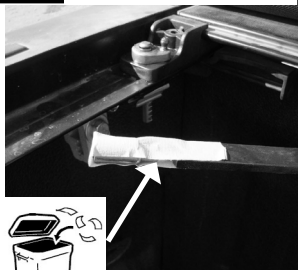
STEP 7

Connect driver and passenger short tie-bars as shown below.

Driver side shown,
repeat procedure for
passenger side

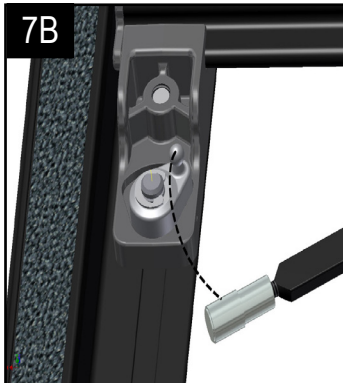


7A

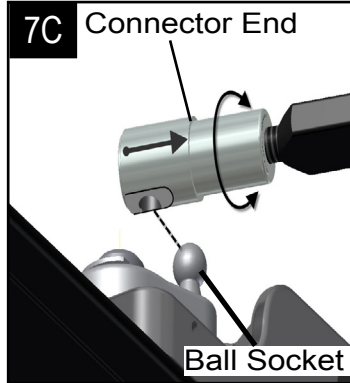


Remove anti-spin
tape

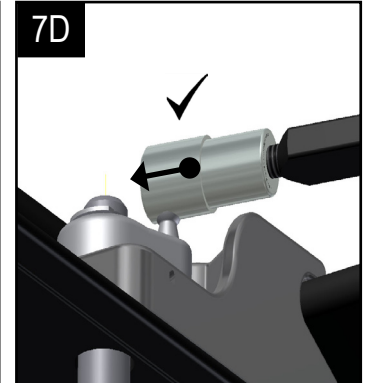
7B



7C



7D



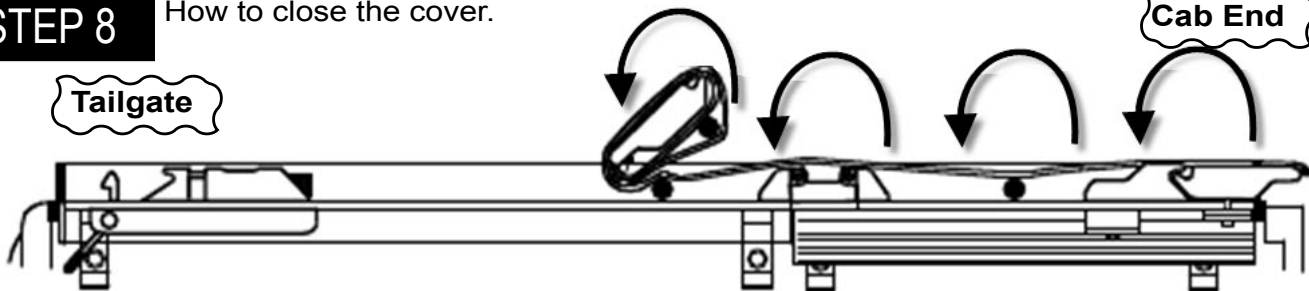
Position both release levers to the left before attaching outer tie-bars, see step 6.

STEP 8

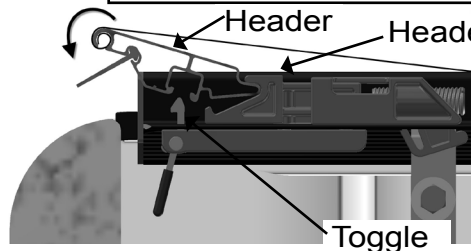
How to close the cover.

Tailgate

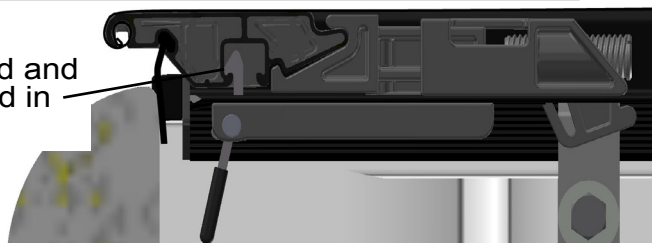
Cab End



Unroll cover toward the tailgate. Rotate rear header into the header stops and press down to lock toggle into header.



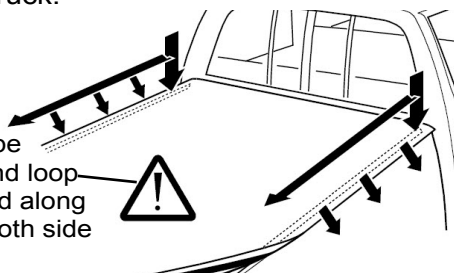
Cover closed and toggle locked in header.



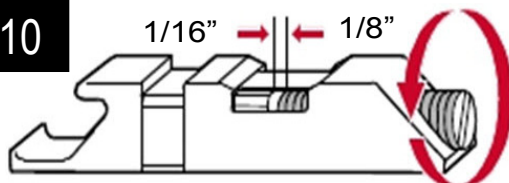
STEP 9

After cover is closed secure the hook and loop fastener strips on both sides of truck.

Before driving truck be sure that the hook and loop fasteners are secured along the entire length of both side rails.



STEP 10

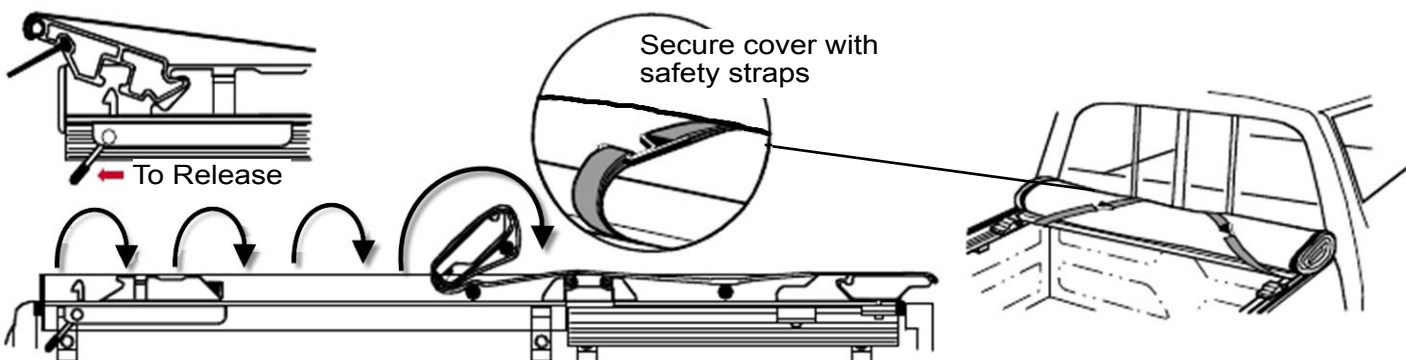


Set cover tension during the warmest part of the day.

💡 Slight adjustments, in small increments, will gain significant results

STEP 11

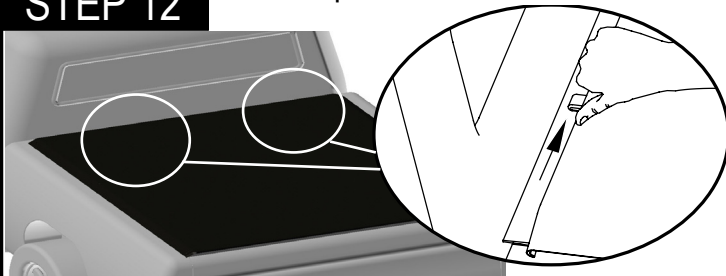
To stow cover, open tailgate, pull rear release toggle and roll cover toward cab making sure both sides roll evenly.



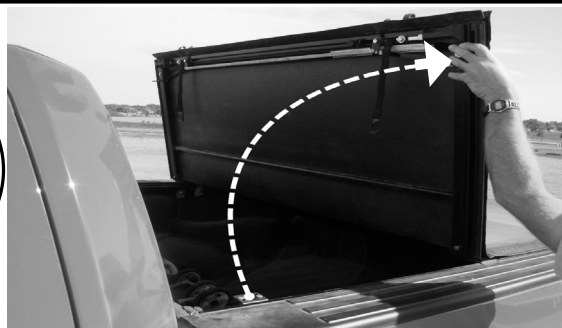
💡 For best results leave unrolled portion attached to the hook and loop fasteners while rolling.

STEP 12

How to open the cover front.

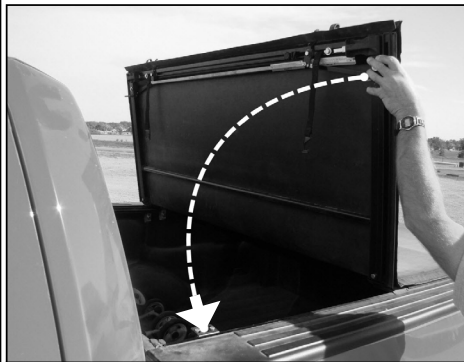


Front of cover can be opened from either the driver or passenger side of truck

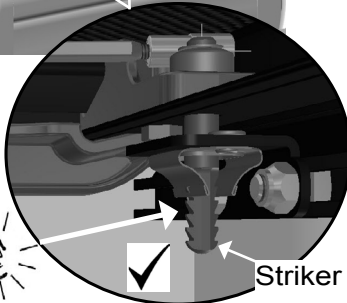
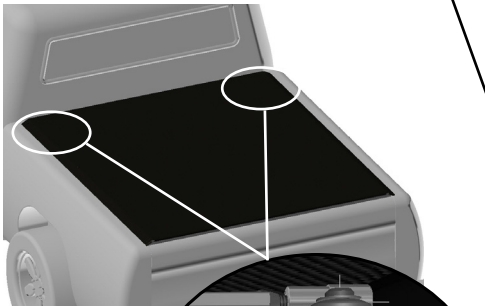


⚠️ **Caution**, in windy conditions operate cover with care.

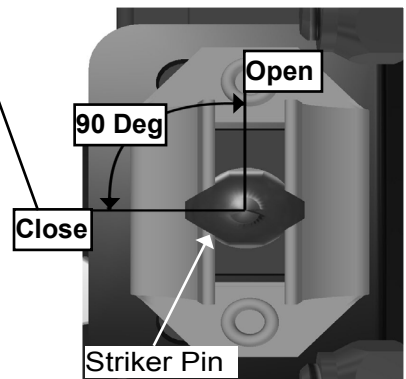
STEP 13 Closing Cover



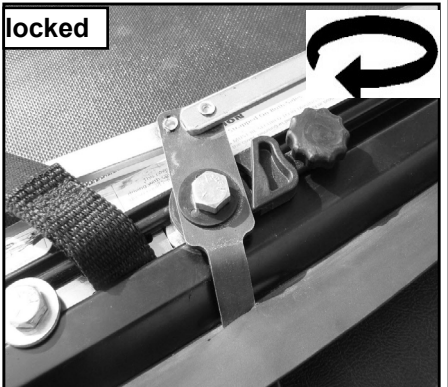
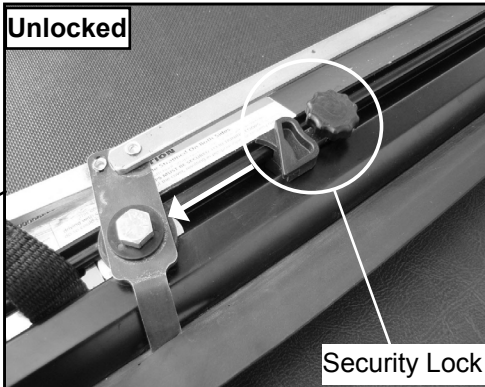
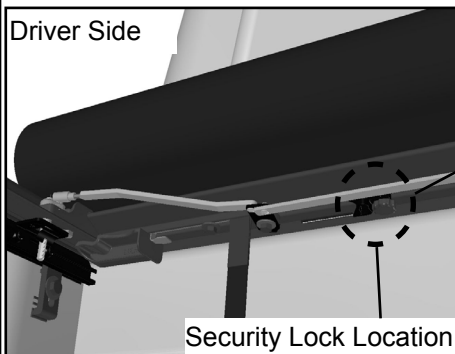
! Always lift upward on cover front after closing to make sure cover is securely latched.



! Latches are secure when striker pins return back to 90 deg.



STEP 14 How to lock cover closed for security.



💡 The Deuce cover can be locked while the cover is rolled up or in the open position as shown above.

STEP 15



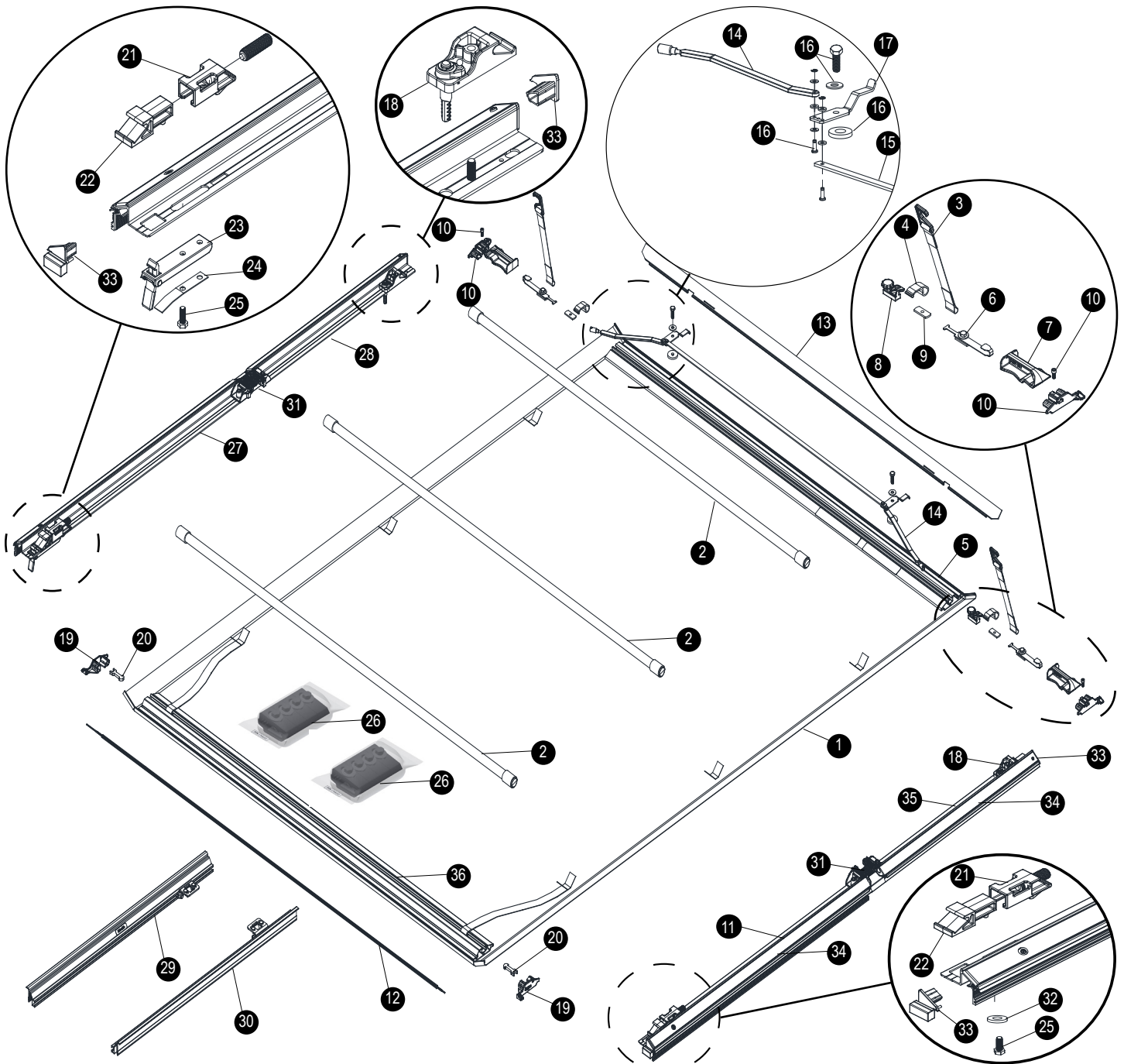
CAUTION
Do not drive vehicle when hinged portion of the cover is flipped open.

Cover can separate from vehicle and could cause property damage or personal injury. Always lift upward on the cover after closing to make sure that the cover is securely latched.



! Caution, never drive vehicle with cover unlatched at the rear or partially rolled to the front.

- !** To prevent accidental release of tailgate header, ensure rear header is securely latched to the side rails before driving vehicle.
- !** To prevent wind lift, secure VELCRO® brand fasteners along entire length of both side rails before driving vehicle.



TRUXEDO® DEUCE REPLACEMENT PARTS

1	*	Deuce® Replacement Cover	17	1704860	Release Levers	32	1704709	Washer Plastic 5/16 dia x 1.25 RD
2	*	Cross Bow Tubes Assembled	18	1704864	Header Stop & Striker Pin Assy	33	1117767	Side Rail End Plugs_Front & Back
3	*	Safety Strap	19	1117467	Rear Header 08 End Plugs (Set of 2)	34	*	Hook and Loop Fasteners
4	1704715	Extruded Retainer Loop	20	1115354	Header Insert Safety Clip	35	1704615	Side Rail Front, Pass. Side
5	*	Black Front Header	21	1704658	Tension Control Housing & Spring Tension	36	*	Black Rear Header
6	1117594	Header Guide Retainer Assy	22	1704660	Header Stop_Deuce			
7	1704707	Header Guide_2011	23	1704213	Latch Assembled			
8	1704879	Lever Lock Assy.	24	1114773	Flat Spring, 5/8" x 3 7/8"			
9	1704194	Weld Nut, Tab, 5/16"	25	1702926	Screw Hex HD 5/16"x 7/8"			
10	1117781	Header End Plug_Front_LH & RH	26	*	Aluminum Clamp Assy			
11	*	Side Rail, Passenger Side	27	*	Side Rail, Driver's Side			
12	*	Header Seal_Tailgate	28	1704614	Side Rail Front, Driver's Side			
13	*	Header Seal, Cab	29	*	Rail Underbody Assembly, Driver's Side			
14	1705034	Outside Linkage Tie-Bar	30	*	Rail Underbody Assembly, Pass Side			
15	*	Tie-Bar Center Linakge	31	1704654	Hinge Assembly			
16	1117766	Linkage Pins_Includes Washers						

* Please specify length or make and model of vehicle.

TROUBLE SHOOTING

FRONT LATCH WON'T RELEASE EITHER SIDE:

-Adjust tie-bar connector ends outward to eliminate slack in entire linkage mechanism.
See Step 7.

FRONT RELEASE LEVERS, LINKAGE AND STRIKER PINS SEEM TO BIND:

-Lubricate all linkage pivot points with mineral oil. Lubricate striker pins and pivot base with a graphite dry liquid lubricant.

FRONT OF COVER WILL NOT STAY LATCHED DOWN:

-Make sure striker pins are returning to closed 90 degree position. See Step 13.
Lubricate striker pins and pivot base with a graphite dry lubricant.

TAILGATE HEADER WILL NOT LATCH:

-Check side rails to make sure they are level, see Step 3 and 3-A. Position clamps higher or lower to achieve level side rails

FABRIC COVER IS TOO TIGHT OR TOO LOOSE:

Adjust rear tension controls, See step 10.



WARNING

Tighten clamps securely on side rails before driving vehicle, to prevent cover from blowing off.

LIFETIME WARRANTY

TruXedo warrants that all new, unused products are free from defects in material and workmanship. This Warranty is effective if the product is properly installed and used for the purpose intended for the life of the product. It applies to the original buyer only. TruXedo's obligation under this Warranty is limited to repairing, or at its option, replacing any part that is returned, transportation prepaid, to TruXedo., Yankton, South Dakota, if the product is, in our judgment, defective. All materials must be accompanied by an RMA (Returned Material Authorization) number requested and authorized in advance of returning the materials. TruXedo shall not be liable or responsible to supply or pay labor to replace any part found defective, nor shall it be liable for any damages of any kind or nature to person, product, or property.

There are no Warranties for used products or products that have been repaired, altered, modified, subjected to misuse, negligence, accident or ordinary wear and tear. Warranty registration must be on file and/or proof of original purchase (detailed and dated) required for warranty to be valid. For warranty registration, see form below. Call 1-877-878-9336 for complete details.

TruXedo products are sold without any express warranty except as set forth above. TruXedo is not obligated to honor warranty claims if Genuine TruXedo parts are not utilized.

DIRECT ALL WARRANTY CLAIMS TO TRUXEDO. AT 1-877-878-9336

SAFETY INSTRUCTIONS

1. Do not place objects on or against cover or framework.
2. Do not tie cargo to TruXedo® Deuce framework.
3. Never allow children or pets to occupy pickup box while cover is closed.
4. Cover is not airtight. Special care is required to keep cargo clean and dry.
5. Fabric cover won't prevent theft of contents inside truck box.
6. Cover must be rolled fully open and secured with safety straps when towing vehicle backwards.
7. Never drive vehicle while hinged front of cover is open.

OWNER/USER RESPONSIBILITIES

It is the responsibility of the owner/user to read this manual and comply with the operating procedures. The owner/user is also responsible for inspecting their TruXedo® Deuce cover, and for having parts repaired or replaced when worn or damaged.

Failure to follow safety instructions and warning labels could result in failure of your cover system and/or personal injury.

MESSAGES TO INSTALLER

- Always wear safety glasses and/or other necessary protective equipment when installing your TruXedo® Deuce.
- These instructions are complete for most pickup models. Additional instructions are included, if required for your pickup. Please read entire manual before installing your Truxedo® Deuce.

COVER MAINTENANCE

Vinyl cover can be hand washed with mild soap and water or cleaned in a car wash. Thoroughly rinse cover to remove any soap residue. Cover can be treated with any vinyl protectant made for tonneau covers.

Never use silicon, petroleum, or citrus based products on your tonneau cover.

Questions?

Call our friendly customer service staff at Truxedo Toll Free:

1-877-878-9336

Register online at www.truxedo.com or mail this form to: TruXedo, P.O. Box 1078, Yankton, SD 57078-0713

Name: _____

Address: _____

City: _____ State: _____ Zip: _____

Phone Number: _____

Email Address: _____

Date Purchased: _____ Price Paid: _____

Dealer Name: _____

Pickup Make: _____

Model: _____ Year: _____

Product Purchased:

Original TruXedo

TruXedo Lo Pro QT

TruXedoPlus

TruXport

TruXedo Deuce

TonneauTraX