



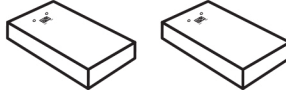
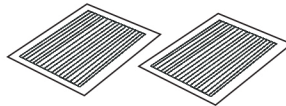



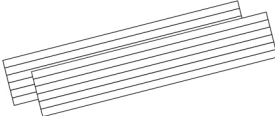




INSTALLATION MANUAL ON FACTORY SILL PLATES ANIGLO SILL PLATES

Part Component

<p>① Aniglo Sill Plates</p> <p>1- Front Left </p> <p>1- Front Right </p> <p>1- Rear Left </p> <p>1- Rear Right </p>	
<p>② Battery Boxes (2 Boxes)</p> 	<p>⑤ Velcro Tape (2 Pieces)</p> 
<p>③ Magnet (4 Pieces)</p> 	<p>⑥ Adhesion Promoter</p> 
<p>④ Wire (4 Pieces)</p> <p>2 pieces Long wires</p> <p>2 pieces Short wires</p> 	<p>⑦ Marking Tape</p> 

Installation Instructions

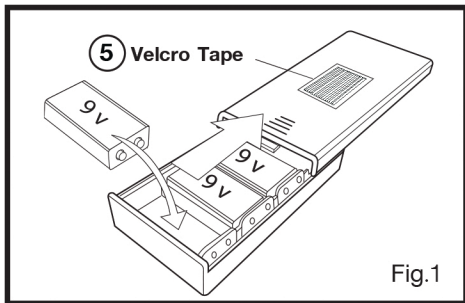


Fig.1

Step 1.

Slide power box open and install 3 x 9V batteries.

Note: Use new alkaline and same branded batteries ONLY. For longevity, use lithium batteries. Total batteries required 6 x 9v. batteries

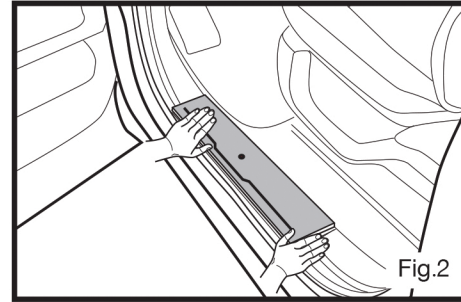


Fig.2

Step 2. Prior to installation, position Aniglo Sill Plate over location to be installed to gauge how finished installation will look like.

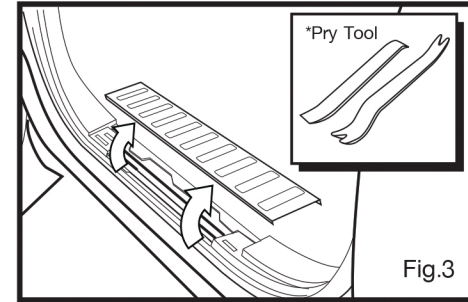


Fig.3

Step 3. Using a pry tool or flat head screw driver and pry open factory plastic door sill plate cover.

Note: Be careful not to scratch vehicle.

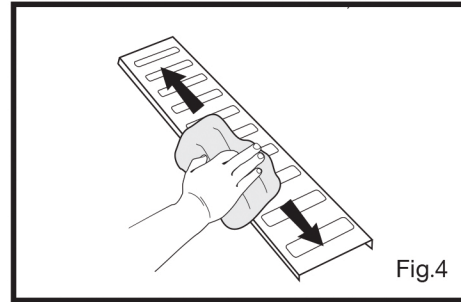


Fig.4

Step 4. Clean the area where Aniglo Sill Plate will be installed with a clean cloth. Ensure that surface is dry, clean and free of oil, grease and wax. Repeat this process for all parts to be installed.

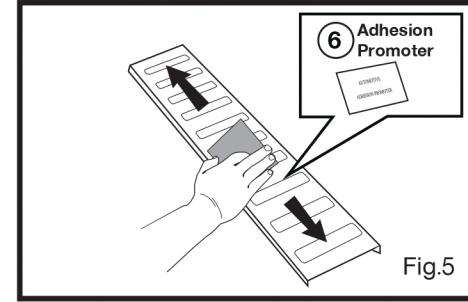


Fig.5

Step 5. Apply a thin layer of Adhesion promoter (included) over areas where adhesive tape adheres to.

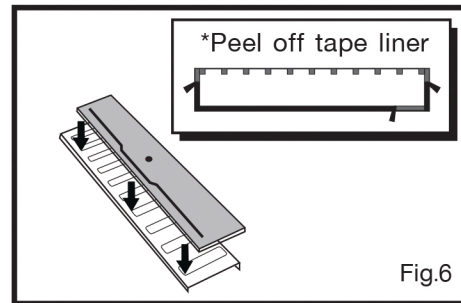
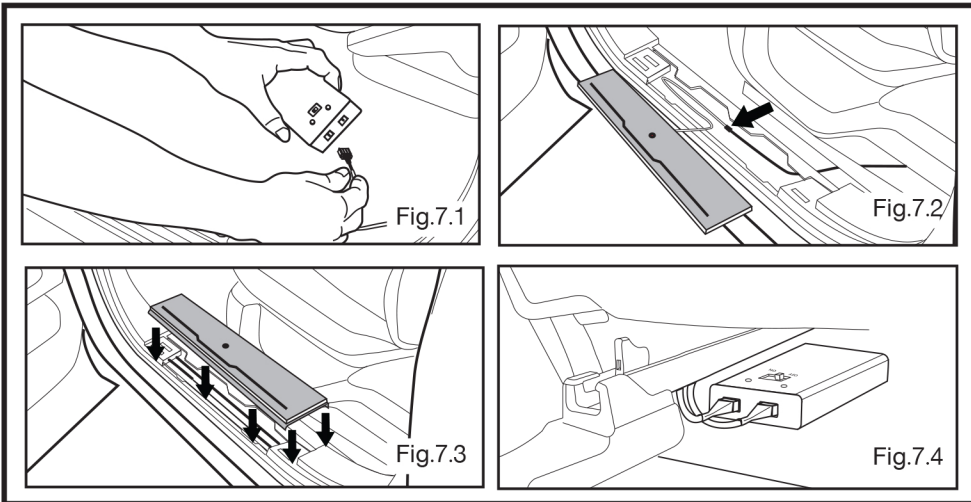


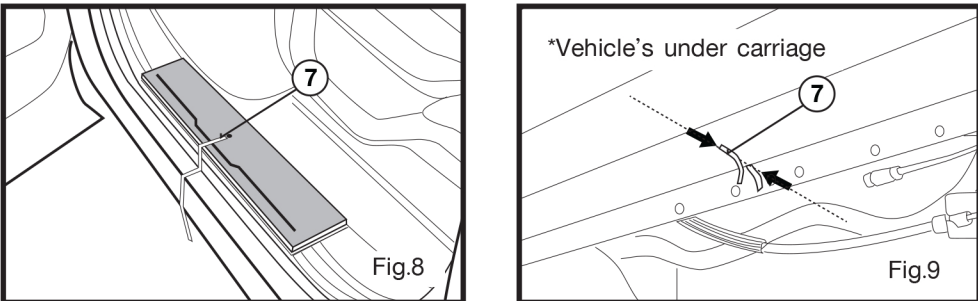
Fig.6

Step 6. Carefully peel off tape liner and overlay Aniglo Sill Plate to part surface. Apply firm pressure over Aniglo Sill Plate to securely bond the tape to the part.

Note: Application surface must be between 60-110F (15-43C). If necessary, warm the surface with a heat gun to obtain the recommended surface application temperature.

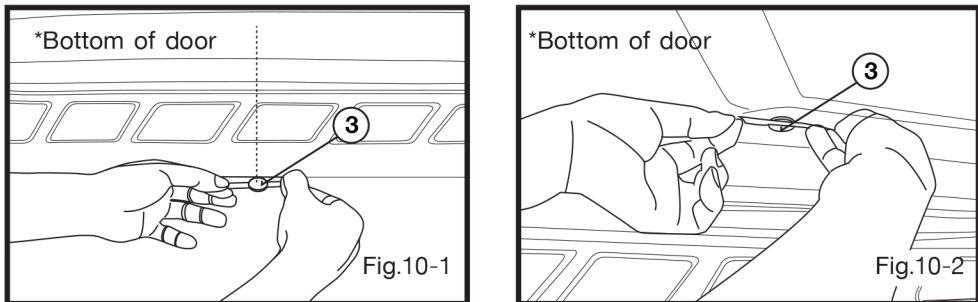


Step 7. Plug both front and rear Aniglo Sill Plates wiring harnesses to power box and hide power box under driver/passenger's seat. Tug in excess wires under factory sill plate and reinstall.

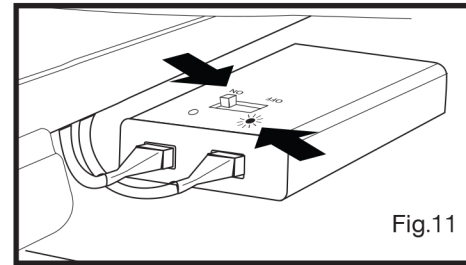


Step 8. Using the provided marking tape and mark 90° down from sensor sticker to bottom of vehicle.

Step 9. With vehicle's door closed, mark bottom of door with provided marking tape.

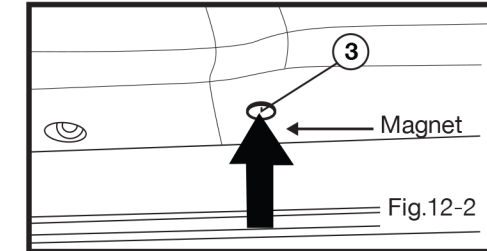
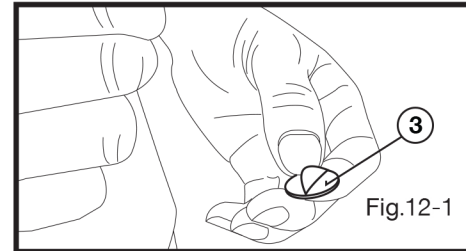


Step 10. Using marking tape from step 9 as reference point. Tape one side of magnet with marking tape and adhere temporary to bottom of door panel.

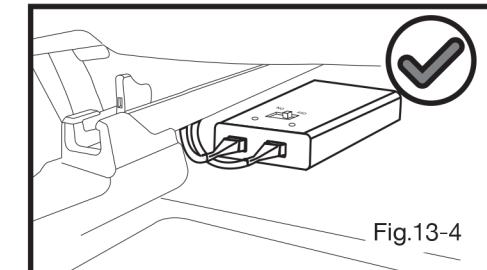
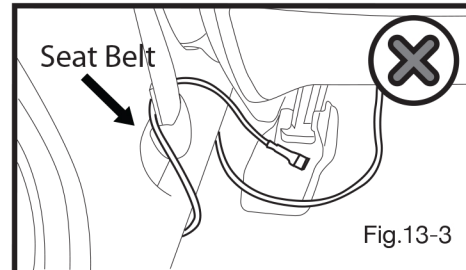
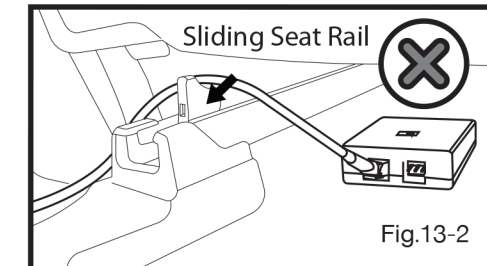
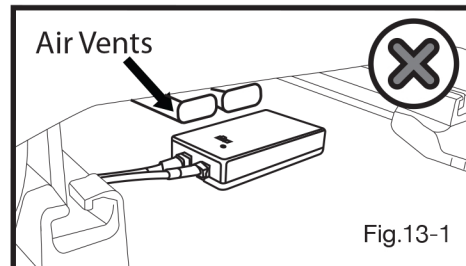


Step 11. With door closed, turn on power box and check indicator light is OFF. If indicator light is ON, then re-position magnet to align with sensor sticker on Aniglo Sill Plate until indicator light is no longer lit.

Note: Aniglo Sill Plate is active when indicator light is on.



Step 12. Once magnet is positioned at proper location, peel off tape liner and adhere magnet to bottom of door panel.



Step 13. When you are complete with installation. Hide power box under seat with hooked Velcro facing down toward vehicle's carpet.

Note: Avoid running wiring harness over path of any moving objects such as seat belts and sliding seat rails.