



**BLACK HORSE
OFF ROAD**

INSTALLATION INSTRUCTIONS

49" SILVER CROSS BAR/49" BLACK CROSS BAR

Before Installation

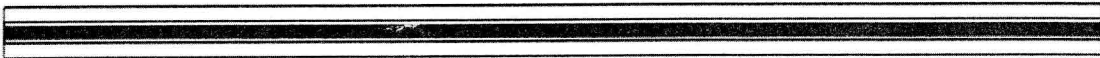
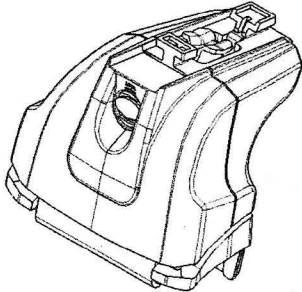
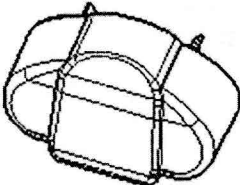
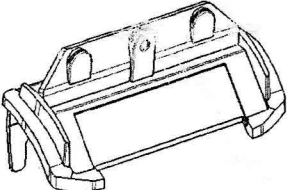
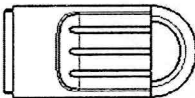


- Please read the instruction completely for easy installation, which will also help you to avoid scratches or other potential damages to your appealing car.
- The figures here are for reference only and may have differences with the actual product you received, however they share the same assembly way.

Care and Cleaning

- Mild soap may be used also to clean the Product.
- Please periodically check and retighten all the hardware and clean the investment for a refresh look.

INSTALLATION INSTRUCTIONS

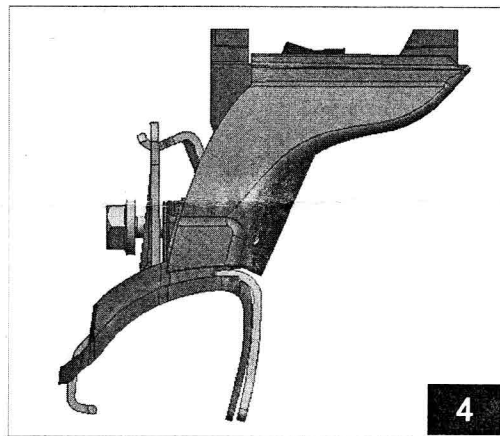
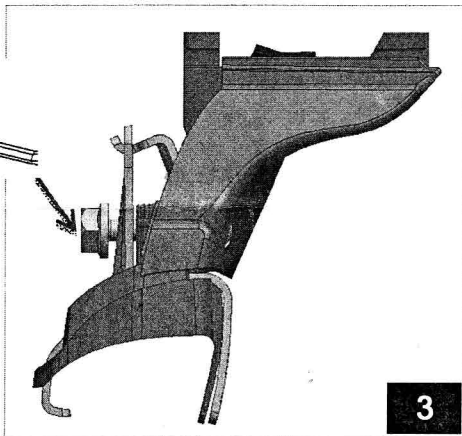
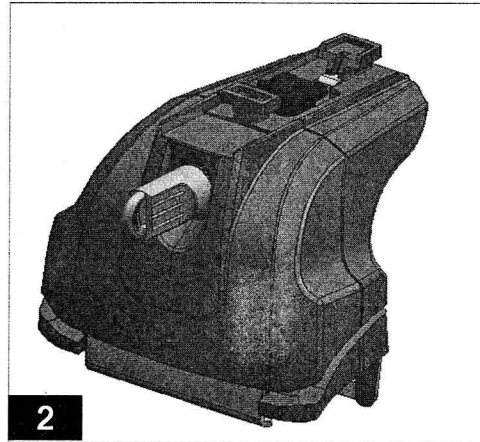
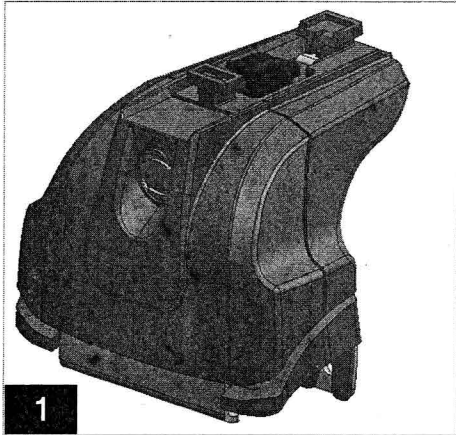
Parts list

NO.	QTY	NAME
①	2	 <p style="text-align: center;">Cross Bar</p>
②	4	 <p style="text-align: center;">Foundation Of FCB Cross Bar</p>
③	4	 <p style="text-align: center;">Plastic cover</p>
④	4	 <p style="text-align: center;">Plastic gasket 2</p>
⑤	2	 <p style="text-align: center;">Key(Plastic)</p>
⑥	8	 <p style="text-align: center;">Self tapping screw ST6*16</p>
⑦	1	 <p style="text-align: center;">Allen wrench S=5</p>

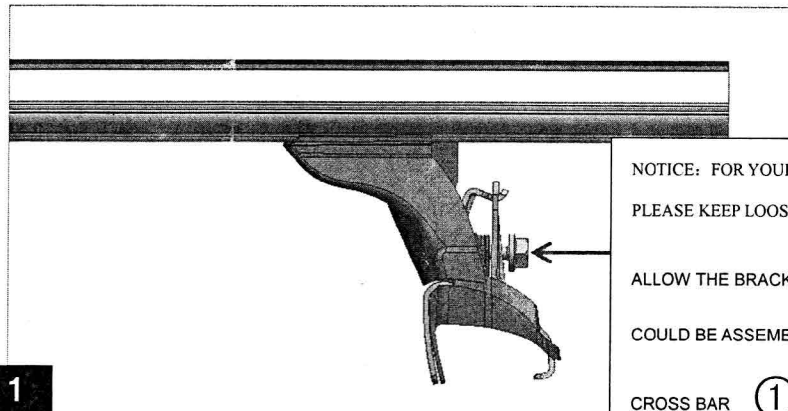
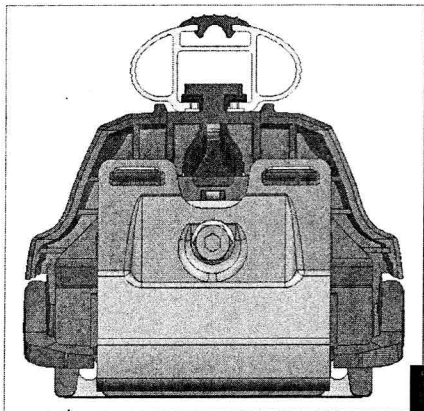
INSTALLATION INSTRUCTIONS

Step 1: Try to attach cross bar brackets (2) and find if they could match your car, If it doesn't, it is necessary to replace plastic gasket to No:2 (4):

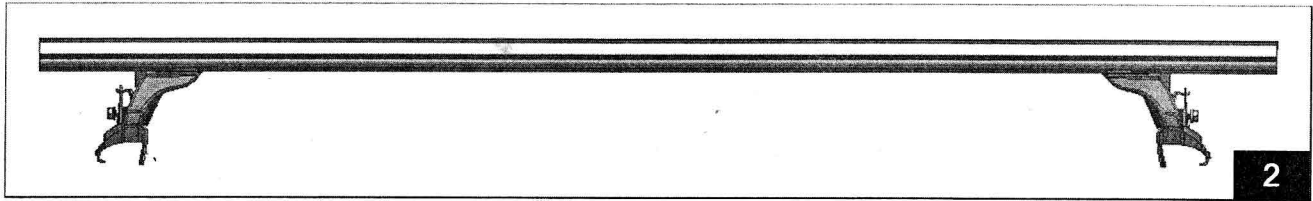
As bellow picture 2, use Key (5) to release the cover; use (7) allen wrench S=5 to remove the bolt for the replacement of gasket and restore the cover back after that.



Step 2: As bellow picture, assemble brackets (2) together with the cross bar (1):

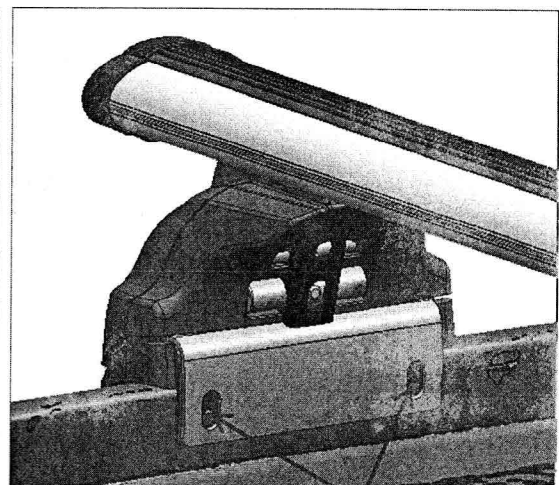
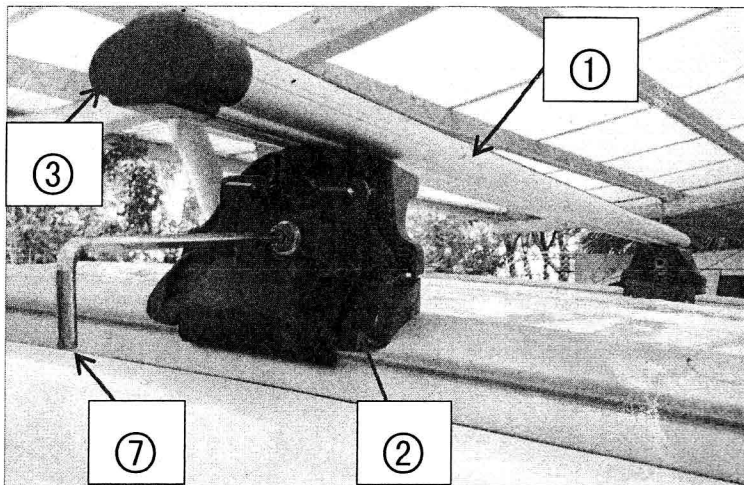


NOTICE: FOR YOUR COVENIENT
PLEASE KEEP LOOSE FOR THE BOLTS:
ALLOW THE BRACKETS (2)
COULD BE ASSEMBLED WITH THE
CROSS BAR (1) SMORTHLY.



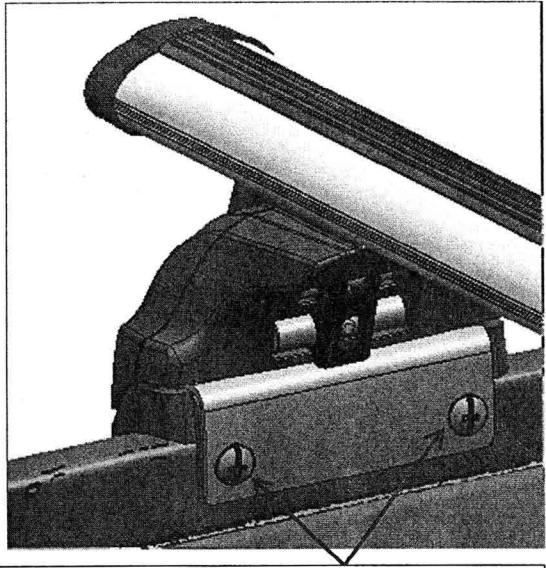
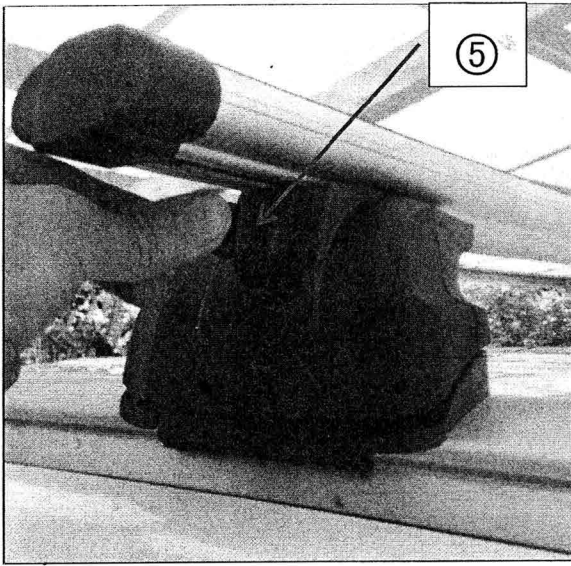
Step 3:

- 3-1、 Adjust distance of two cross bar on the roof and place it to perfect position according to its size:
- 3-2、 Using ⑦ allen wrench S=5 to fasten the bolts on the brackets for the cross bar fixing; find screwing hole from behind of the brackets and place a mark on it by using pen.
- 3-3、 Release the bolts on the brackets and take off the cross bar; drilling hole with size $\phi 4.8$ to 8 place on the roof which has been marked by pen.
- 3-4、 Place the cross bar on the roof and adjust it to correct position according to the hole that we drilled; use ⑦ allen wrench S=5 to fasten those screws on the brackets and replace the plastic cover back with the key ⑤ ;
- 3-5、 Place plastic cover ③ to both end of the cross bar and fasten the cross bar by using ⑥ self-tapping screw ST6*16 as bellow picture shown.
- 3-6、 Please keep good preservation to the key ⑤ and ⑦ allen wrench S=5.
- 3-7、 Installation completed



With mark of the position, drilling hole with size $\phi 4.8$.

INSTALLATION INSTRUCTIONS



⑥ fasten the brackets with self-tapping screw, totally 8 places.

NOTE

Any damages and losses caused by improper installation and application, goes beyond our quality warranty.